



**LAMBTON  
DOORS**  
COMMERCIAL AND ARCHITECTURAL  
DOOR MANUFACTURER

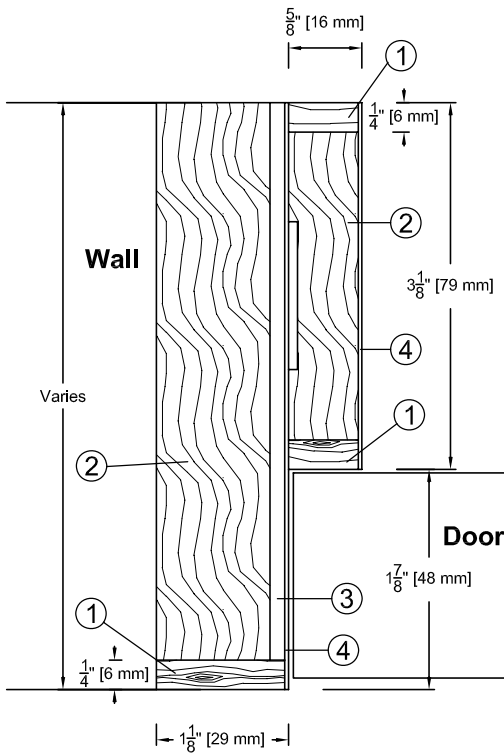
Tel. : (418) 486-7401  
Fax : (418) 486-7381

Tel. (USA): 1 800 363-2248  
Tel. (CAN): 1 800 463-3124  
Fax (USA / CAN): 1 800 561-7443

# Commercial and Architectural Jambs

## LAMBTON 20 MINUTE JAMB

### Rabbet Jamb RJ-20



- ① Hardwood
- ② Structural Composite Lumber (SCL)
- ③ Crossband
- ④ Veneer

SPECIFICATIONS	DESCRIPTION
<b>Wall Thickness</b>	Minimum 3-5/8" (92 mm) Rated wall as per requirements
<b>Wood Casing</b>	By others
<b>Conforms to</b>	Conforms for use with Positive and Negative Pressure fire doors
<b>Maximum Opening</b>	<b>Single:</b> 48" (1219 mm) x 108" (2743 mm) <b>Pair:</b> 96" (2438 mm) x 108" (2743 mm)
<b>Assembly</b>	Dado's pre-drilled and countersunk for #8 wood screw (Screws supplied by others)
<b>Shipping</b>	Knock down
<b>Wrapping</b>	Bundle wrapped
<b>Suggested Rough Opening Dimensions</b>	<b>For single or pair doors</b> Width : Interior opening of frame + 2-3/4" (70 mm) Height : Interior opening of frame + 1-3/8" (35 mm) (After Finished Floor)  <b>Eg. 36" x 84" interior opening (914 x 2134 mm)</b> <u>Rough opening should be :</u> Width : 36" + 2-3/4" = 38-3/4" (984 mm) Height : 84" + 1-3/8" = 85-3/8" (2169 mm)



FSC  
2N-COC-1062 © 1996  
Forest Stewardship Council A.C.



MEMBER / MEMBER



C. Network Market US

