

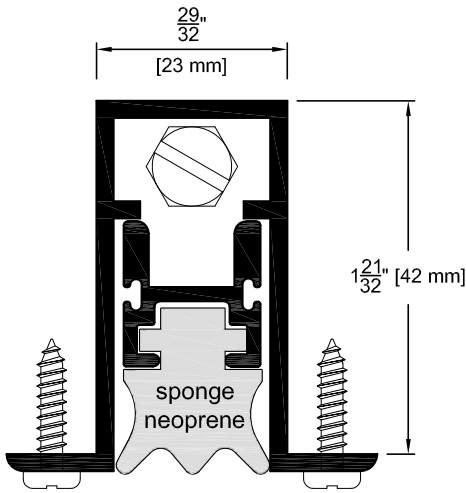


U.S.A. : 1.800.363.2248  
 Can. : 1.800.463.3124  
 sales@lambtondoors.com

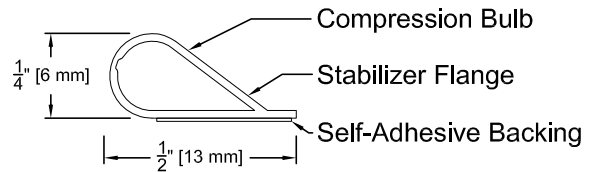
# ACOUSTICAL DOOR STC27, 31, 32, 37, 43 AND 44 HARDWARE, FRAME AND ASTRAGAL

## REQUIRED HARDWARE

**434ARL Drop Seal**

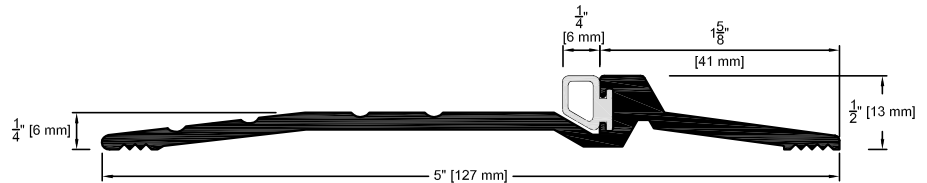


**S88BL SiliconSeal™**



Available in black only

**2005AT Threshold**



**Lambton Doors cannot be responsible for field measurements. All STC doors must be undersized 1/2" (13 mm) in total from frame height after finished floor (AFF).**

Eg. frame 7'0" (2134 mm).

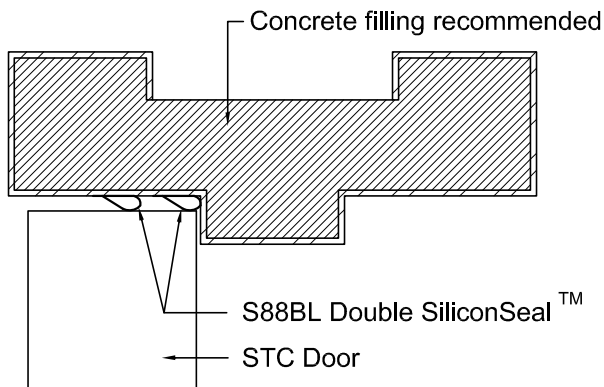
Top of door to frame less 1/8" (3 mm).

Bottom of door to threshold less 3/8" (10 mm).

Total door to frame difference after finished floor (AFF) less 1/2" (13 mm).

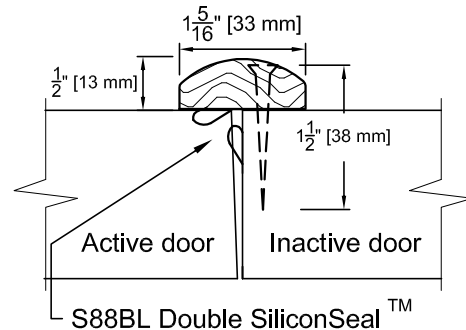
## REQUIRED FRAME AND ASTRAGAL

**Frame**



- Any standard 16 ga. hollow metal frame.
- Standard metal frame supplied by others.

**Lambton Acoustical Astragal**



Note : Gaskets are shown in full size (non-compressed).

Lambton Doors recommends the use of 1-1/2" [38 mm] brass screws for installation.