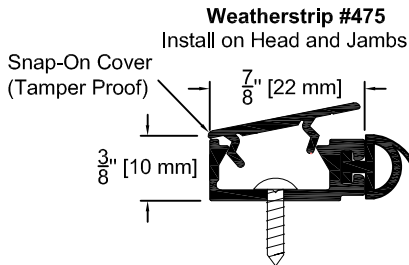




U.S.A. : 1.800.363.2248
 Can. : 1.800.463.3124
 sales@lambtondoors.com

ACOUSTICAL DOOR STC45 HARDWARE, FRAME AND ASTRAGAL

REQUIRED HARDWARE [By Zero International]

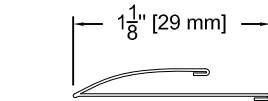


Weatherstrip #475
 Install on Head and Jamb

Snap-On Cover
 (Tamper Proof)

Specify finish
 "AA" : Clear Anodized
 "D" : Dark Bronze Anodized
 "G" : Gold Anodized

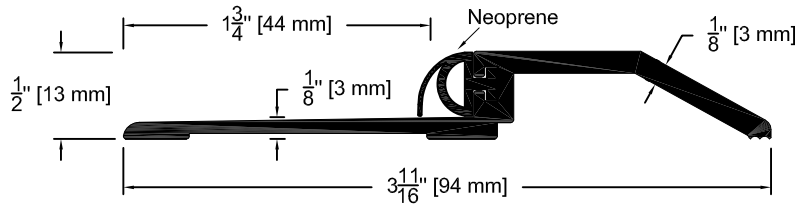
Spring #119W
 Install on Head, bottom Rail and Jamb



PSA (Self-Adhesive Gasketing)

Specify finish
 "B" : Brass
 "S" : Stainless Steel

Rabbed Threshold #564A

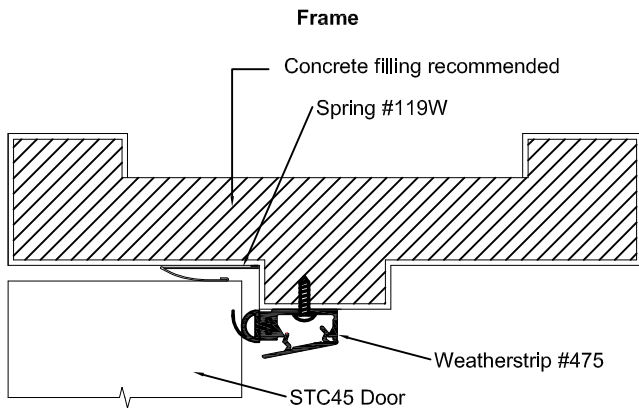


Specify finish
 "A" : Aluminum
 "B" : Bronze
 "D" : Dark Bronze Anodized

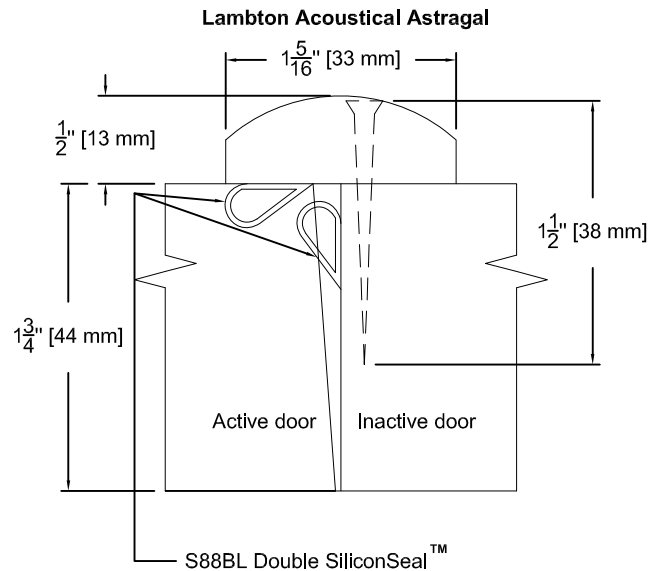
Lambton Doors cannot be responsible for field measurements. All STC doors must be undersized 1/2" (13 mm) in total from frame height after finished floor (AFF).

Eg. frame 7'0" (2134 mm).
 Top of door to frame less 1/8" (3 mm).
 Bottom of door to threshold less 3/8" (10 mm).
 Total door to frame difference after finished floor less 1/2" (13 mm).

REQUIRED FRAME AND ASTRAGAL



- Standard metal frame supplied by others.
- Any standard 16 ga. hollow metal frame



Note : Gaskets are shown in full size (non-compressed).

Lambton Doors recommends the use of 1-1/2" [38 mm] brass screws for installation.