

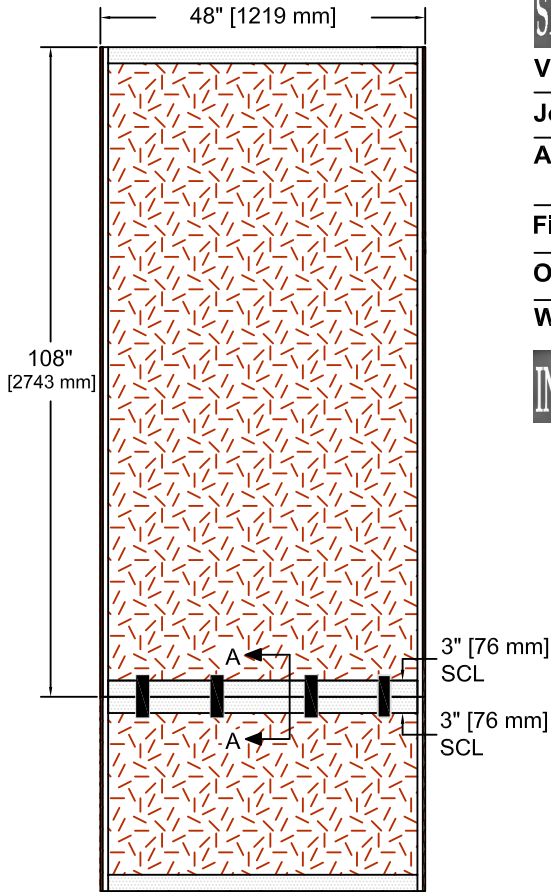


COMMERCIAL AND ARCHITECTURAL
DOOR MANUFACTURER

U.S.A. : 1 800 363.2248
Can. : 1 800 463.3124
info@lambtondoors.com

COMMERCIAL AND ARCHITECTURAL DOOR

Doors over
120" (3048 mm) long

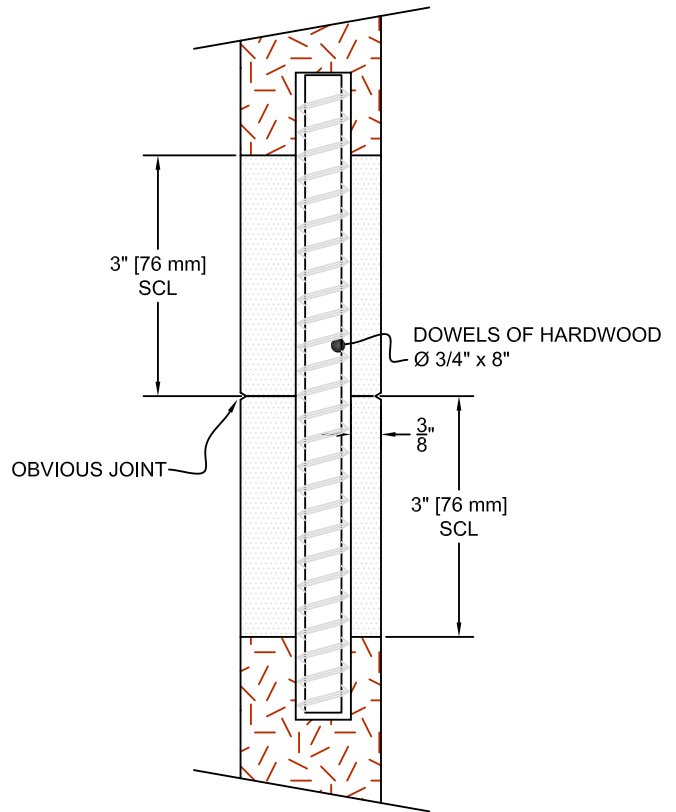


SPECIFICATIONS DESCRIPTION

Veneer	Veneer end match
Joints	Obvious joints
Assembly	Assembled with dowels. Not factory assembled.
Fire Rated	Not available
Option	Available in hollow or solid core.
Warranty	None

INFORMATION www.lambtondoors.com

NOT FACTORY ASSEMBLED
ask for assembling instructions



SIDE VIEW A-A



The FSC logo identifies products which contain wood from well-managed forests certified in accordance with the rules of the Forest Stewardship Council.