



**COMMERCIAL AND ARCHITECTURAL  
DOOR MANUFACTURER**

**Tel.: (418) 486-7401  
Fax: (418) 486-7381**

**Tel. (USA): 1 800 363-2248  
Tel. (CAN): 1 800 463-3124  
Fax (USA / CAN): 1 800 561-7443**

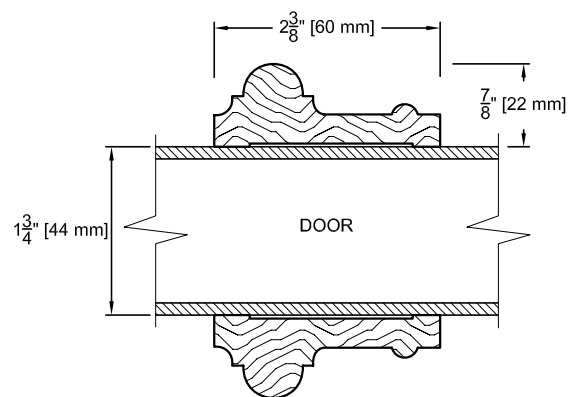
## DESIGNER SERIES CHAIR RAIL MOULDING



FOR THAT SPECIAL ROOM THAT HAS WAINSCOTTED PANELS, WE CAN CUSTOM MATCH THE MOULDING AND CREATE PANEL EFFECTS. NOTICE THE SELF RETURNING CHAIR RAIL MOULDING.

ALSO AVAILABLE IN  
20/45/60/90 MINUTE FIRE RATING.

### TECHNICAL DETAILS



Note: Other options are available.