



LAMBTON
DOORS

COMMERCIAL AND ARCHITECTURAL
DOOR MANUFACTURER

Tel.: (418) 486-7401
Fax: (418) 486-7381

Tel. (USA): 1 800 363-2248
Tel. (CAN): 1 800 463-3124
Fax (USA / CAN): 1 800 561-7443

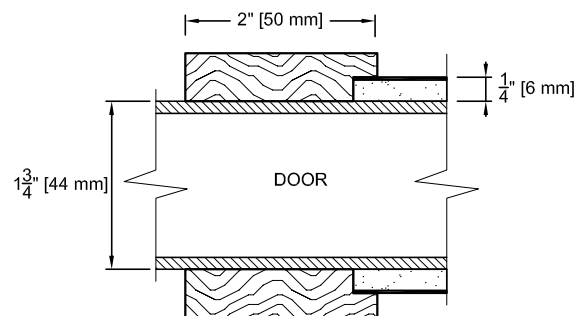
DESIGNER SERIES GROOVED RAISED CENTER PANEL



IN ORDER TO MATCH A SPECIFIC DESIGN REQUIREMENT, OUR ENGINEERING DEPARTMENT DEVELOPED THIS SLEEK LOOKING CENTER PANEL TO BLEND WITH THE "DÉCOR" AT A PRESTIGIOUS HOTEL.

ALSO AVAILABLE IN
20 MINUTE FIRE RATING.

TECHNICAL DETAILS



Note: Other options are available.