



LAMBTON  
DOORS

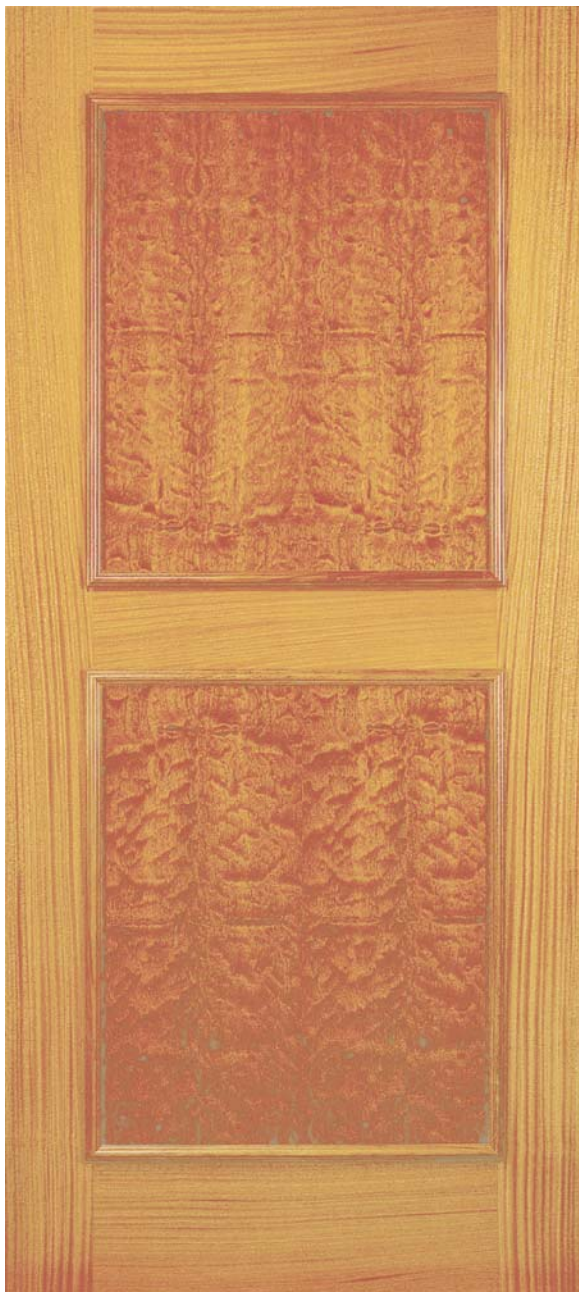
COMMERCIAL AND ARCHITECTURAL  
DOOR MANUFACTURER

Tel.: (418) 486-7401  
Fax: (418) 486-7381

Tel. (USA): 1 800 363-2248  
Tel. (CAN): 1 800 463-3124  
Fax (USA / CAN): 1 800 561-7443

## DESIGNER SERIES

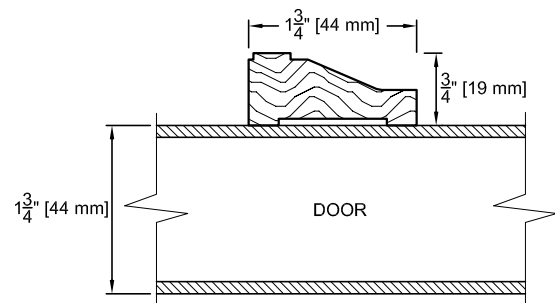
### SKETCH FACE PANEL WITH APPLIED MOULDINGS



WITH THE ABILITY TO CAREFULLY  
SELECT AND BLEND EXOTIC VENEERS,  
WE CAN CREATE A BEAUTIFULLY RICH  
LOOKING DOOR TO MEET MOST BUDGETS.

ALSO AVAILABLE IN  
20-45-60-90 MINUTE FIRE RATING.

#### TECHNICAL DETAILS



MODEL #AM-06

Note: Other options are available.