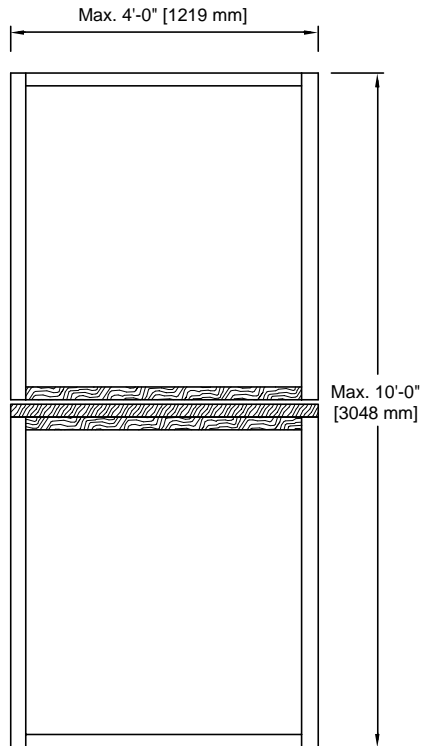


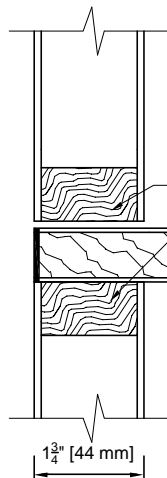
NON RATED DUTCH DOOR



- Door construction according to series except for meeting rails.
- The maximum single opening size is 4'-0" x 10'-0" [1219 mm x 3048 mm].
- The maximum pair opening size is 8'-0" x 10'-0" [2438 mm x 3048 mm].
- Make certain that thickness of shelf is taken into consideration when specifying hardware location.

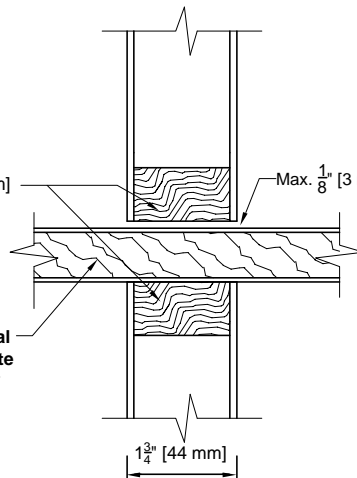
DUTCH DETAILS (After trim)

SHELF APPLIED TO TOP (1 side)



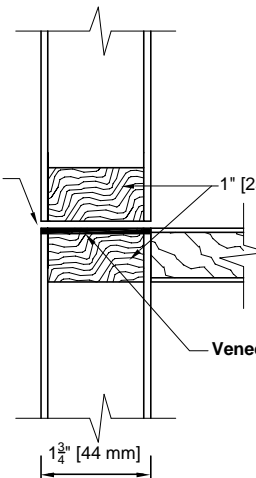
D1

SHELF APPLIED TO TOP (2 sides)



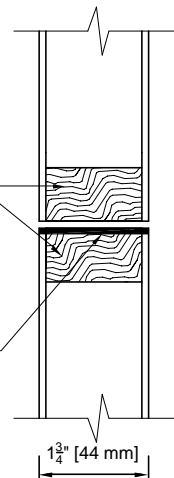
D2

SHELF APPLIED TO DOOR FACE



D3

NO SHELF



D5

Structural Composite Lumber

Veneer edge