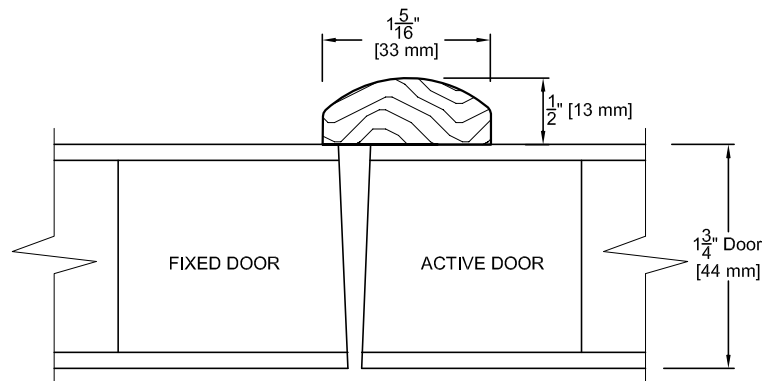


STANDARD WOOD ASTRAGALS

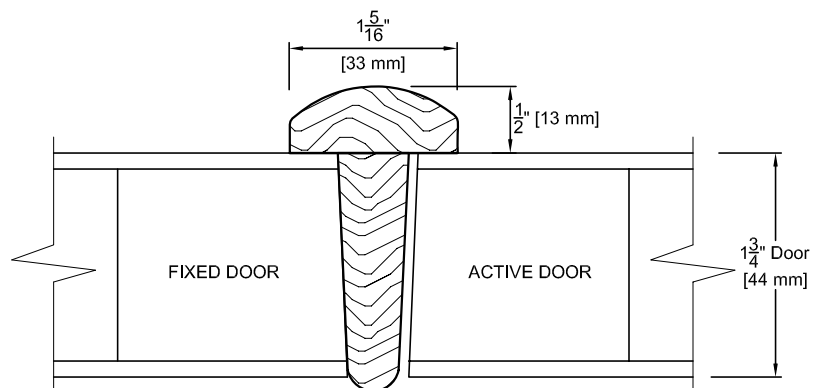


U.S.A. : 1.800.363.2248
Can. : 1.800.463.3124

SURFACE APPLIED ASTRAGAL



"T" ASTRAGAL



DIMENSIONS FOR STANDARD WOOD "T" ASTRAGAL

- **FOR 1-3/8" (35 mm) DOOR**
Use 1-5/16" (33 mm) x 2" (51 mm)
- **FOR 1-3/4" (44 mm) DOOR**
Use 1-5/16" (33 mm) x 2-3/8" (60 mm)
- **FOR 2" (51 mm) DOOR**
Use 1-5/16" (33 mm) x 2-5/8" (67 mm)