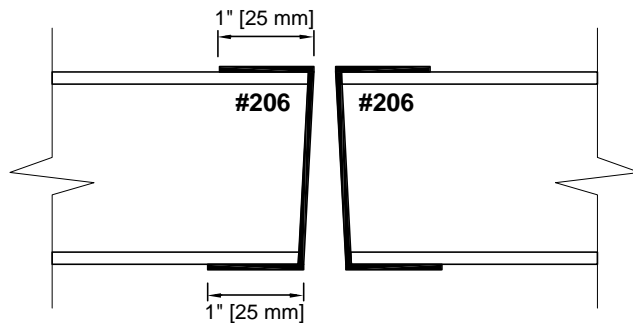


# FIRE DOOR SYSTEM

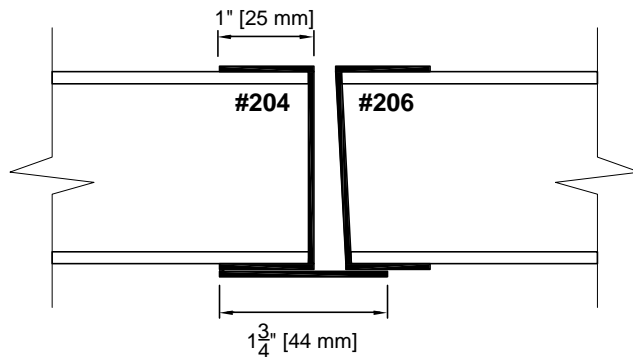
## STANDARD EDGE AND ASTRAGAL SETS

### FOR 1-3/4" (44 mm) DOOR

**SET #208**  
DOUBLE EDGE SET-BEVELED



**SET #212**  
INACTIVE LEAF-SQUARE



- Edge and astragal sets are listed to 90 minutes.
- Double edge set is listed to 90 minutes WHI.
- WHI listed in steel and stainless steel.
- Available with veneer wrap.

- Standard finish is beige powder paint.
- All bevels are 1/8" (3 mm) in 2" (51 mm).
- Punched and coined for #8 x 3/4" (19 mm) Phillips flat Head Screws (included).
- Hole centers 12" (305 mm) or less, 3-1/2" (89 mm) max. from ends and machined openings.
- Available in lengths to 120" (3040 mm).
- Machining templates must be completed for each machined item (please request forms).
- All items available in Stainless Steel.