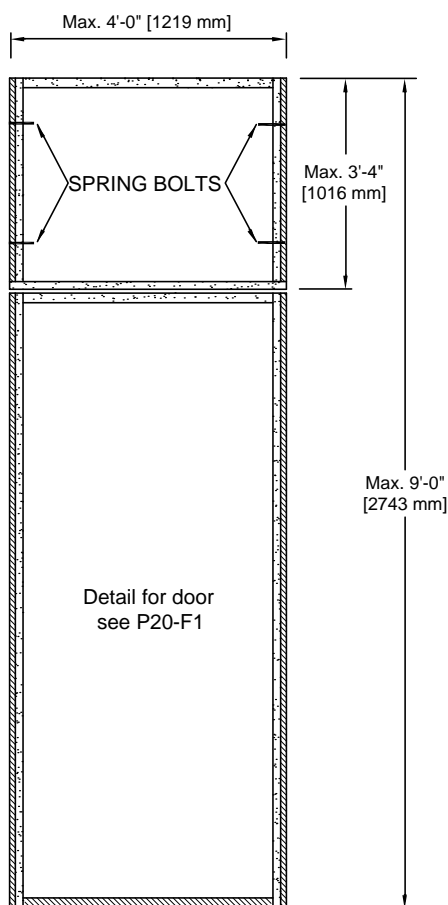


FIRE DOOR SYSTEM

POSITIVE PRESSURE (Category A & B)

20 MINUTE DOOR WITH TRANSOM

WITH METAL ASTRAGAL OR TRANSOM BAR

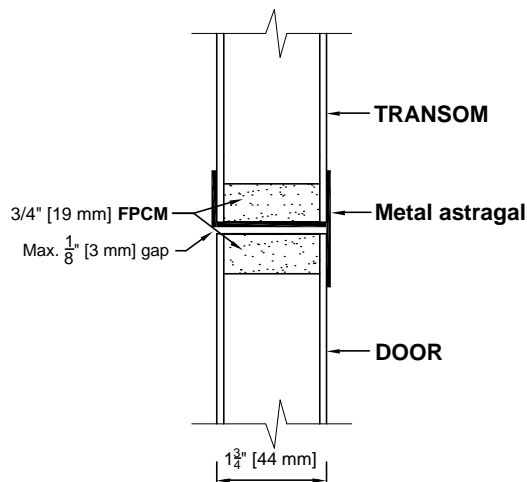


- Available with transom bar or with astragal.
- Door construction according to series except for meeting rails.
- The maximum opening size is 4'-0" x 9'-0" [1219 mm x 2743 mm].
- The maximum transom size is 4'-0" x 3'-4" [1219 mm x 1016 mm].
- The panel shall be machined for spring bolts. The appropriate amount of spring bolts will be provided with the panel.

APPROVED STEEL SPRING BOLTS : "STANLEY #1697"

Panel up to 18" [457 mm] in height = 2 spring bolts per side.
Panel up to 36" [914 mm] in height = 3 spring bolts per side.
Panel up to 40" [1016 mm] in height = 4 spring bolts per side.

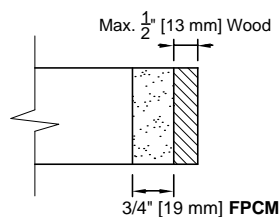
SIDE VIEW DETAILS (After trim)



Code : P20-F5

TRANSOM DETAILS (Before trim)

STILES



TOP & BOTTOM RAILS

