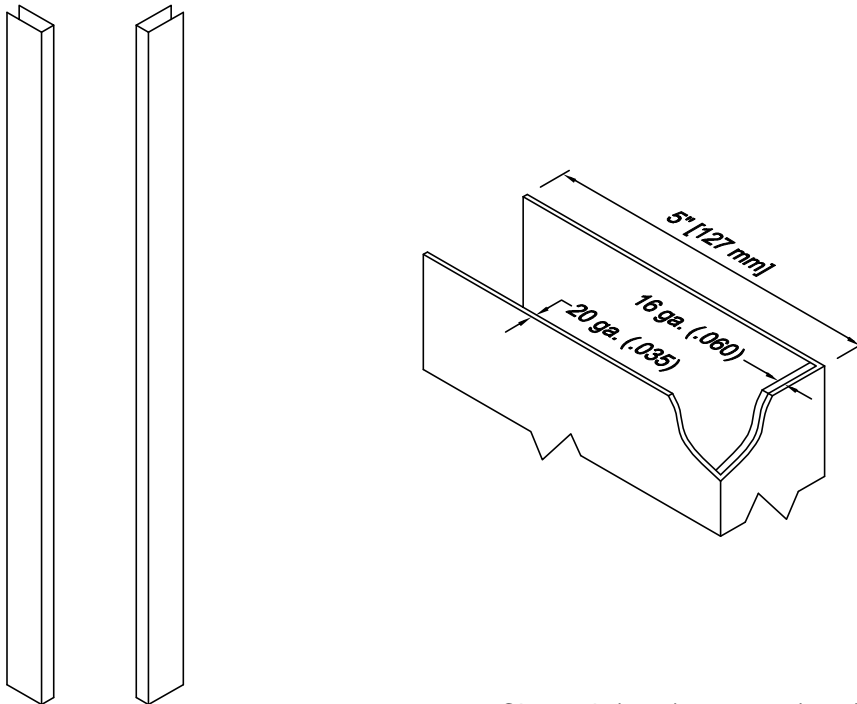




U.S.A. : 1.800.363.2248
Can. : 1.800.463.3124

FIRE DOOR SYSTEM CONCEALED VERTICAL ROD 5" (127 mm) CHANNELS

FOR 1-3/4" (44 mm) DOOR



20 ga. Channel (.035) + 16 ga. (.060) Support Strip adds an additional (.095) or 3/32" (2.4 mm) to the edge of your door. When sizing your door for the opening you must allow 3/32" (2.4 mm) on each leaf.