

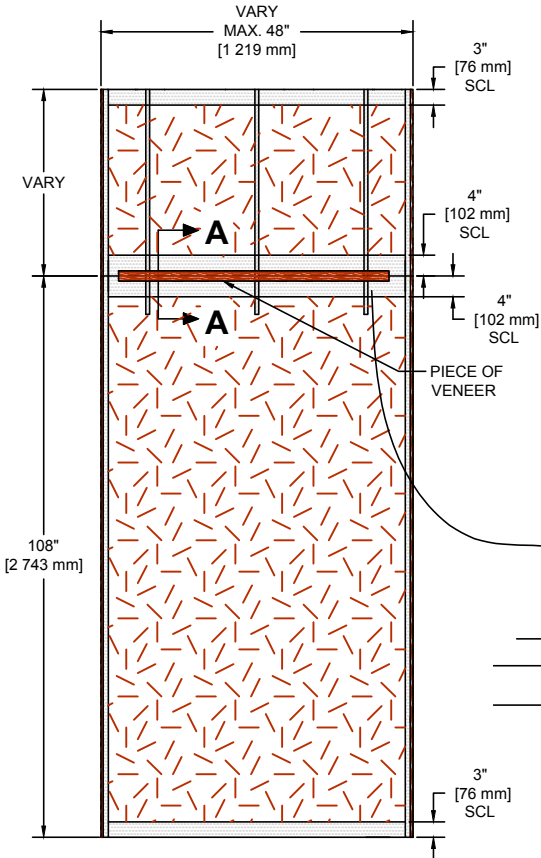


COMMERCIAL AND ARCHITECTURAL
DOOR MANUFACTURER

U.S.A. : 1 800 363.2248
Can. : 1 800 463.3124
info@lambtondoors.com
www.lambtondoors.com

COMMERCIAL AND ARCHITECTURAL DOOR

Doors over
120" (3 048 mm) long



SPECIFICATIONS DESCRIPTION

Veneer	Veneer end match
Joints	Obvious joints
Assembly	Assembled with piece of veneer and toggle bolts, all enclosed. Not factory assembled.
Fire-Rated	Not available
Option	Available in hollow or solid core.
Warranty	None

INFORMATION www.lambtondoors.com

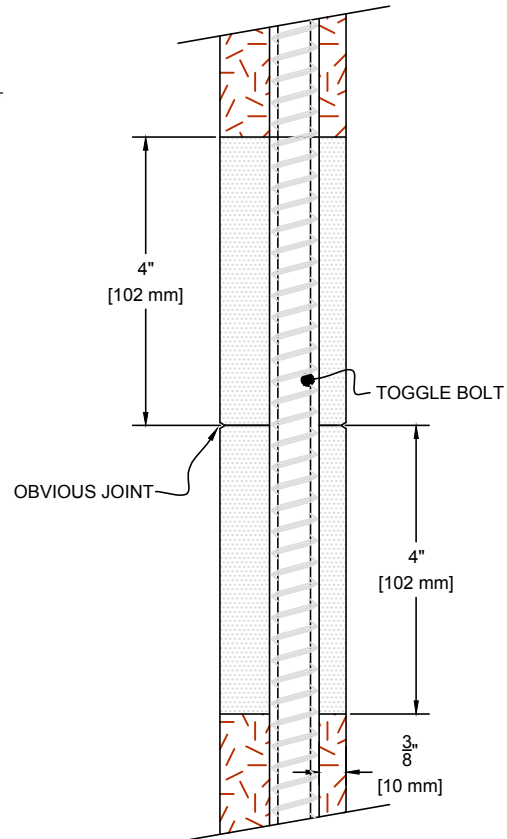
NOT FACTORY ASSEMBLED
Download assembling instructions
on our website under
TECHNICAL SPACE
Installation instructions



The mark of responsible forestry



The FSC logo identifies products which contain wood from well-managed forests certified in accordance with the rules of the Forest Stewardship Council.



SIDE VIEW A-A

