

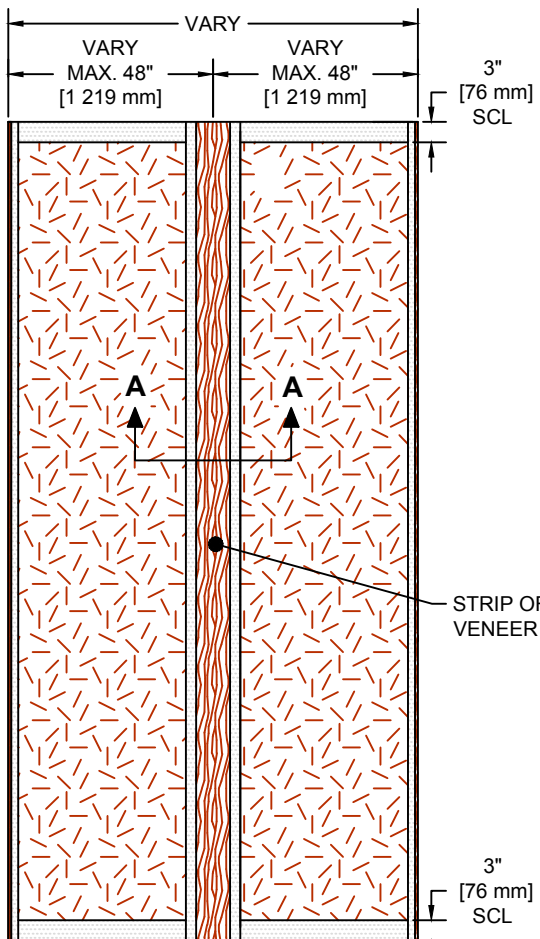


COMMERCIAL AND ARCHITECTURAL
DOOR MANUFACTURER

U.S.A. : 1 800 363.2248
Can. : 1 800 463.3124
info@lambtondoors.com
www.lambtondoors.com

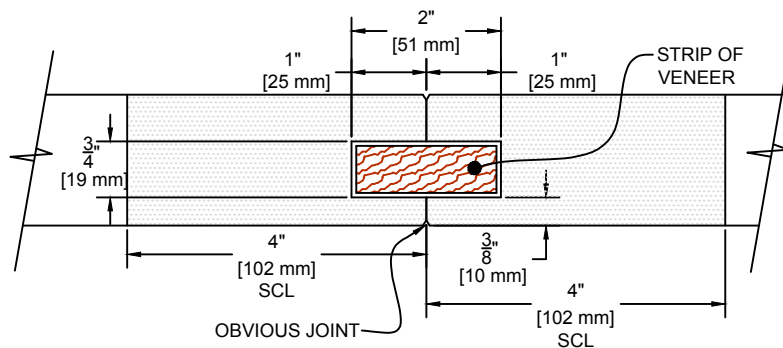
COMMERCIAL AND ARCHITECTURAL DOOR

Doors over
48" (1 219 mm) wide



SPECIFICATIONS	DESCRIPTION
Veneer	Veneer pair match door
Joints	Obvious joints
Assembly	Assembled with strip of veneer (enclosed). Not factory assembled.
Fire-Rated	Not available
Option	Available in hollow or solid core.
Warranty	None

INFORMATION www.lambtondoors.com



TOP VIEW A-A

NOT FACTORY ASSEMBLED

Download assembling instructions
on our website under
TECHNICAL SPACE
Installation instructions



The mark of
responsible forestry



The FSC logo identifies products which contain wood from well-managed forests certified in accordance with the rules of the Forest Stewardship Council.

