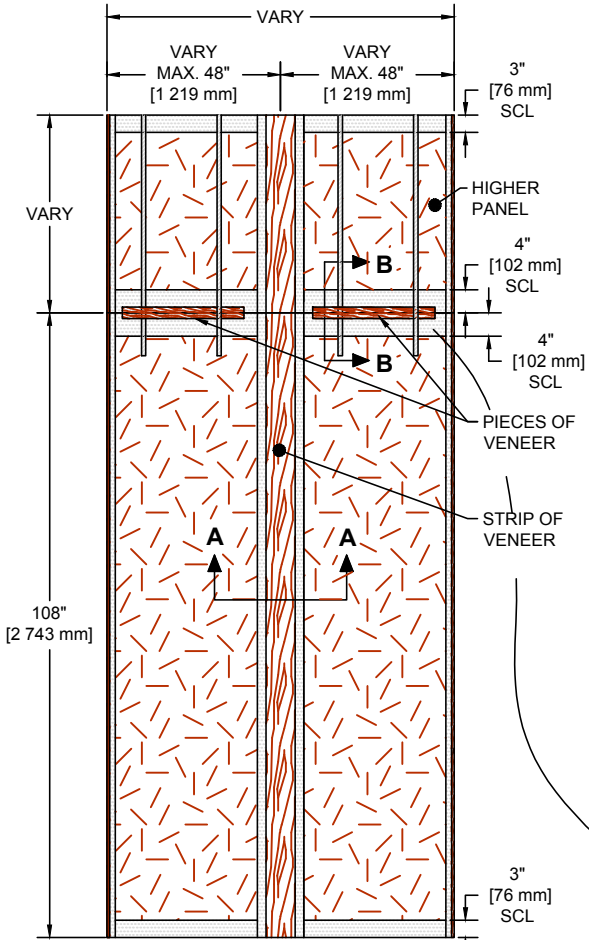




COMMERCIAL AND ARCHITECTURAL
DOOR MANUFACTURER
U.S.A. : 1 800 363.2248
Can. : 1 800 463.3124
info@lambtondoors.com
www.lambtondoors.com

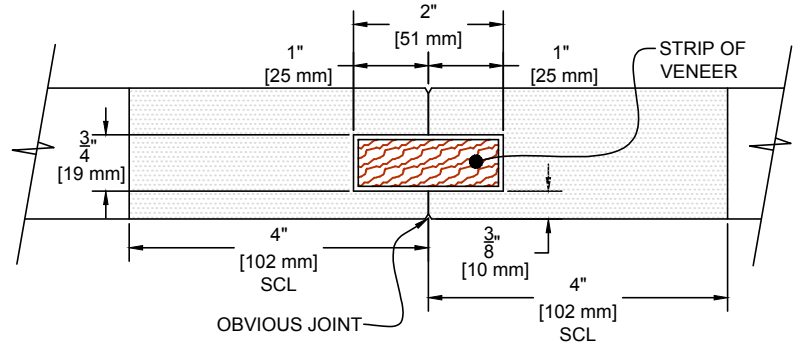
COMMERCIAL AND ARCHITECTURAL DOOR

Doors over
48" (1 219 mm) wide
and 120" (3 048 mm) long

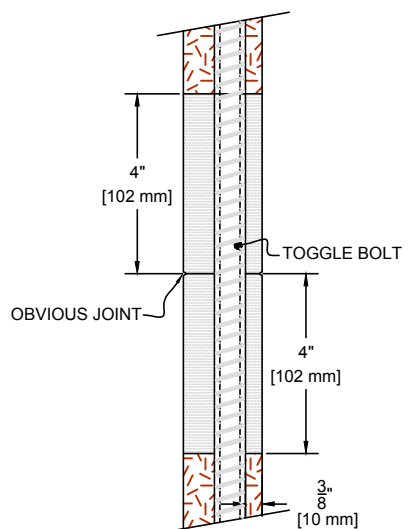
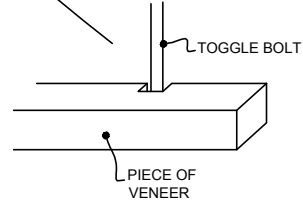


| SPECIFICATIONS | DESCRIPTION |
|----------------|---|
| Veneer | Veneer pair match and end match door |
| Joints | Obvious joints |
| Assembly | Assembled with strip of veneer, pieces of veneer and toggle bolts, all enclosed. Not factory assembled. |
| Fire-Rated | Not available |
| Option | Available in hollow or solid core. |
| Warranty | None |

INFORMATION www.lambtondoors.com



TOP VIEW A-A



SIDE VIEW B-B

NOT FACTORY ASSEMBLED
Download assembling instructions
on our website under
TECHNICAL SPACE
Installation instructions



The FSC logo identifies products which contain wood from well-managed forests certified in accordance with the rules of the Forest Stewardship Council.

