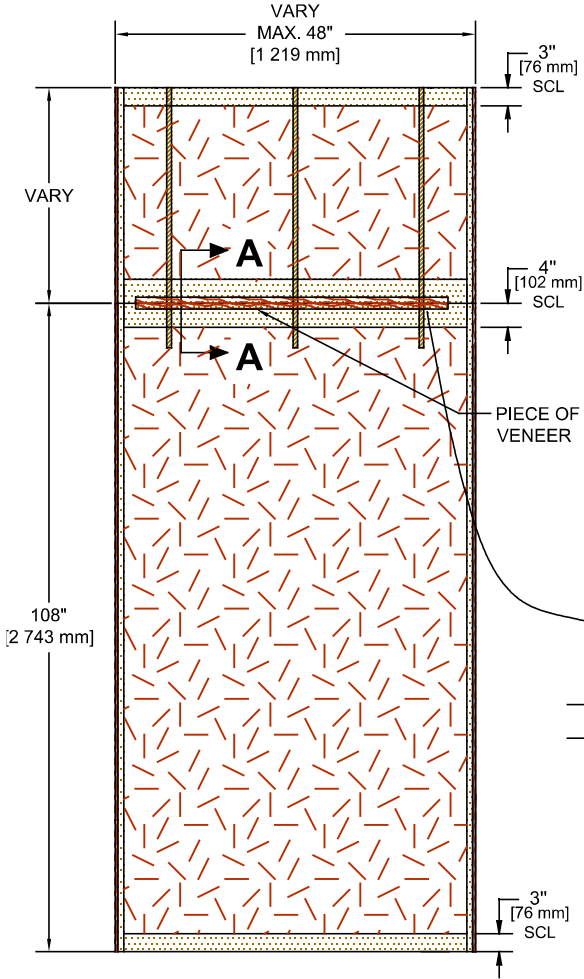
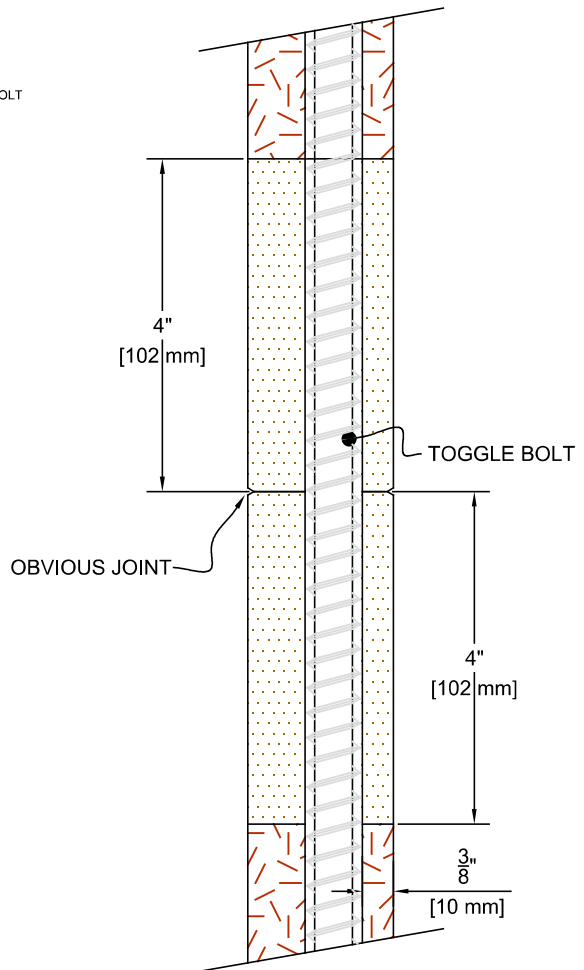
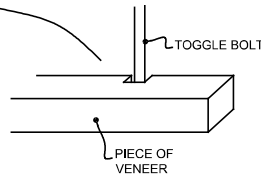


**Oversize Door  
Doors over  
120" (3 048 mm) long**



**SPECIFICATIONS DESCRIPTIONS**

SPECIFICATIONS	DESCRIPTIONS
Veneer	Veneer end match
Joints	Obvious joints
Face	Wood veneer, MDO or HPDL laminated to a HDF.
Core	Available in hollow or solid core
Thickness	1-3/4" (44 mm)
Fire-Rated	Not available
Adhesive	Type I (waterproof); PVA (UF-Free).
Assembly	Assembled with piece of veneer and toggle bolts, all enclosed. <b>Not factory assembled.</b>
Warranty	None
Factory Finish	UV Finishing System 9 by AWI. No VOC. Stain, clearcoat, opaque and primed finish available. Sealed top and bottom standard. Custom color matching available. Lambton Doors' <b>ASEPTI</b> : Antimicrobial coated surface in option.



**SIDE VIEW A-A**

**NOT FACTORY ASSEMBLED**  
Download assembling instructions  
on our website under  
**TECHNICAL SPACE**  
Installation Instructions



The mark of responsible forestry  
The FSC® logo identifies products which contain wood from well-managed forests certified in accordance with the rules of the Forest Stewardship Council®.