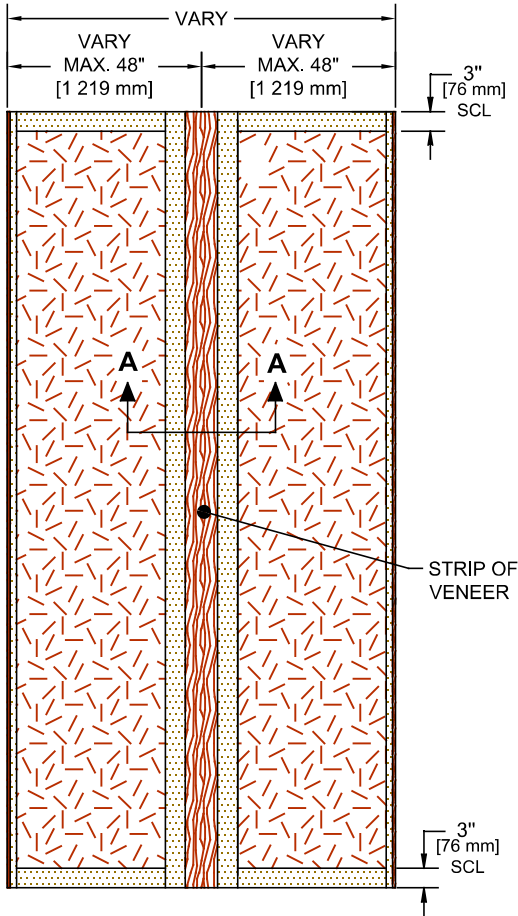
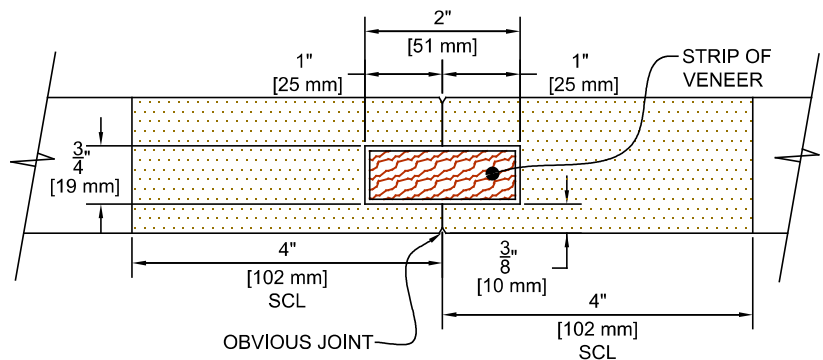


**Oversize Door  
Doors over  
48" (1 219 mm) wide**



**SPECIFICATIONS DESCRIPTIONS**

<b>Veneer</b>	Veneer pair match door
<b>Joints</b>	Obvious joints
<b>Face</b>	Wood veneer, MDO or HPDL laminated to a HDF.
<b>Core</b>	Available in hollow or solid core
<b>Thickness</b>	1-3/4" (44 mm)
<b>Fire-Rated</b>	Not available
<b>Adhesive</b>	Type I (waterproof); PVA (UF-Free).
<b>Assembly</b>	Assembled with strip of veneer, all enclosed. <b>Not factory assembled.</b>
<b>Warranty</b>	None
<b>Factory Finish</b>	UV Finishing System 9 by AWI. No VOC. Stain, clearcoat, opaque and primed finish available. Sealed top and bottom standard. Custom color matching available. Lambton Doors' <b>ASEPTI</b> : Antimicrobial coated surface in option.



**TOP VIEW A-A**

**NOT FACTORY ASSEMBLED**  
Download assembling instructions  
on our website under  
**TECHNICAL SPACE**  
Installation Instructions



The mark of responsible forestry  
The FSC® logo identifies products which contain wood from well-managed forests certified in accordance with the rules of the Forest Stewardship Council®.