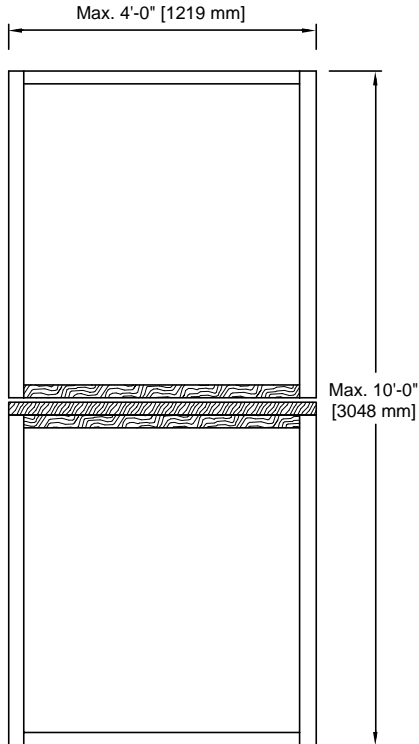


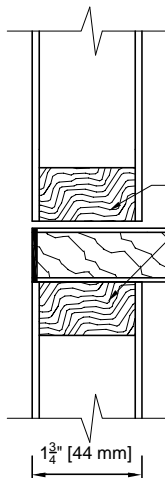
NON RATED DUTCH DOOR



- Door construction according to series except for meeting rails.
- The maximum single opening size is 4'-0" x 10'-0" [1219 mm x 3048 mm].
- The maximum pair opening size is 8'-0" x 10'-0" [2438 mm x 3048 mm].
- Make certain that thickness of shelf is taken into consideration when specifying hardware location.

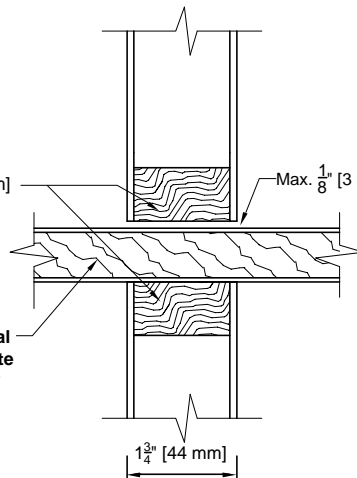
DUTCH DETAILS (After trim)

SHELF APPLIED TO TOP (1 side)



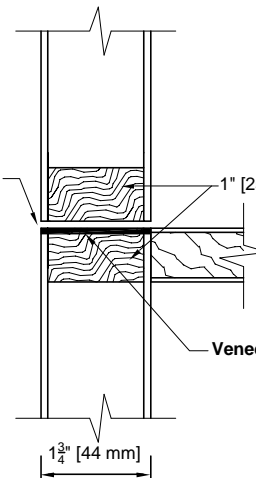
D1

SHELF APPLIED TO TOP (2 sides)



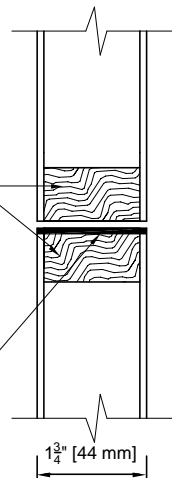
D2

SHELF APPLIED TO DOOR FACE



D3

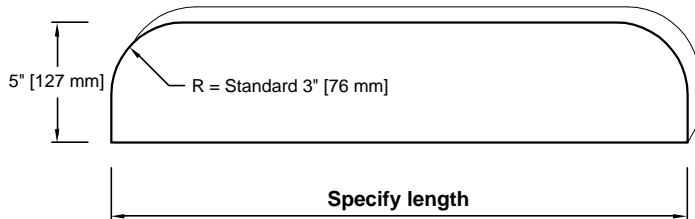
NO SHELF



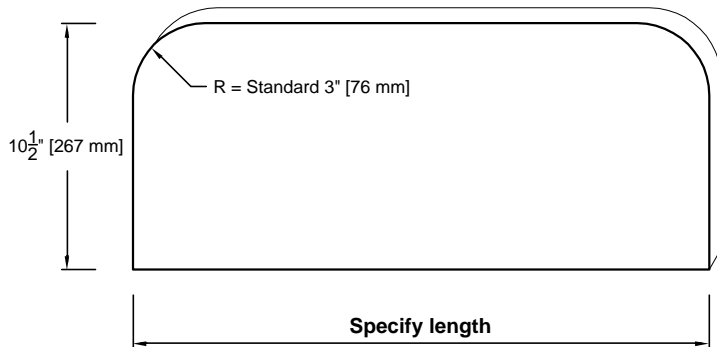
D5

STANDARD SHELF DETAILS WITH MACHINING

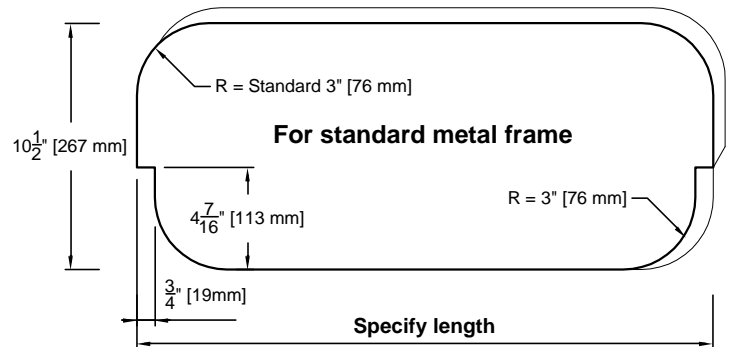
SH-1



SH-2



SH-3



FOR OTHERS DETAILS, CALL CUSTOMER SERVICE.

- Standard shelf size : 1-1/16" (27 mm) x 5" (127 mm) or 1-1/16" (27 mm) x 10 1/2" (267 mm).

- Two shelf brackets included.

