

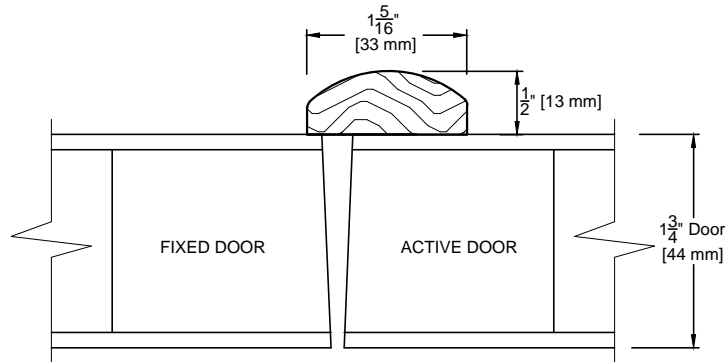
# STANDARD WOOD ASTRAGALS



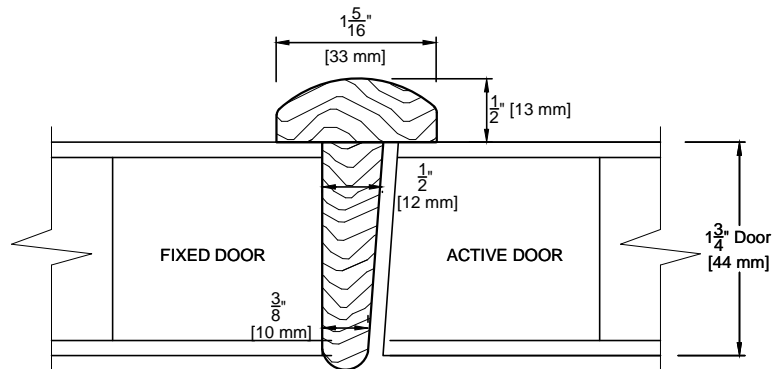
COMMERCIAL AND ARCHITECTURAL  
DOOR MANUFACTURER

U.S.A. : 1 800 363.2248  
Can. : 1 800 463.3124  
info@lambtondors.com

## SURFACE APPLIED ASTRAGAL



## "T" ASTRAGAL



### DIMENSIONS FOR STANDARD WOOD "T" ASTRAGAL

- **FOR 1-3/8" (35 mm) DOOR**  
Use 1-5/16" (33 mm) x 2" (51 mm)
- **FOR 1-3/4" (44 mm) DOOR**  
Use 1-5/16" (33 mm) x 2-3/8" (60 mm)
- **FOR 2" (51 mm) DOOR**  
Use 1-5/16" (33 mm) x 2-5/8" (67 mm)