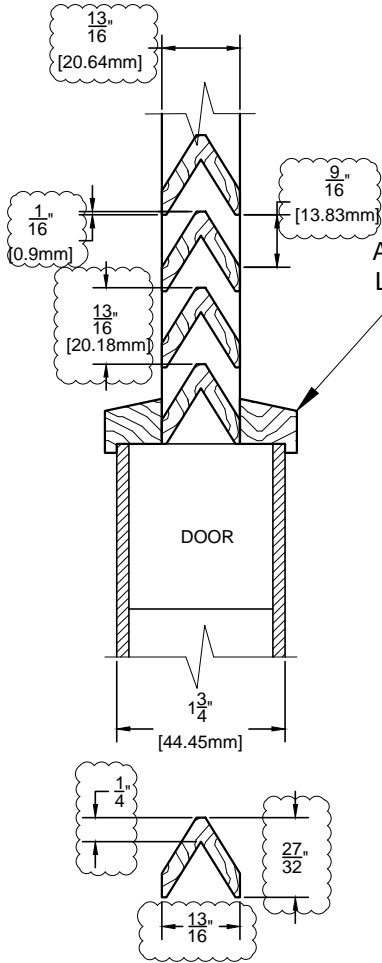
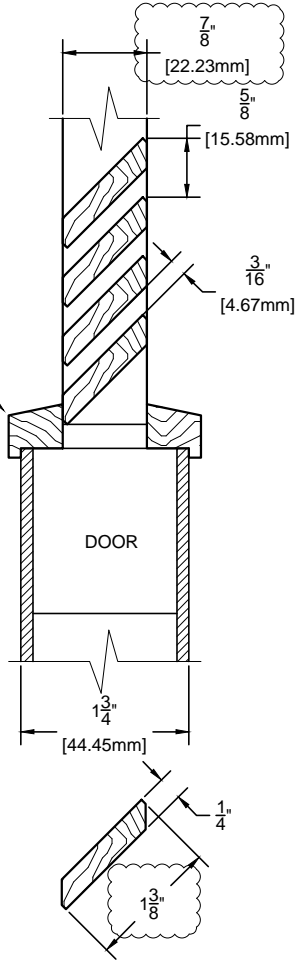


WOOD LOUVERS

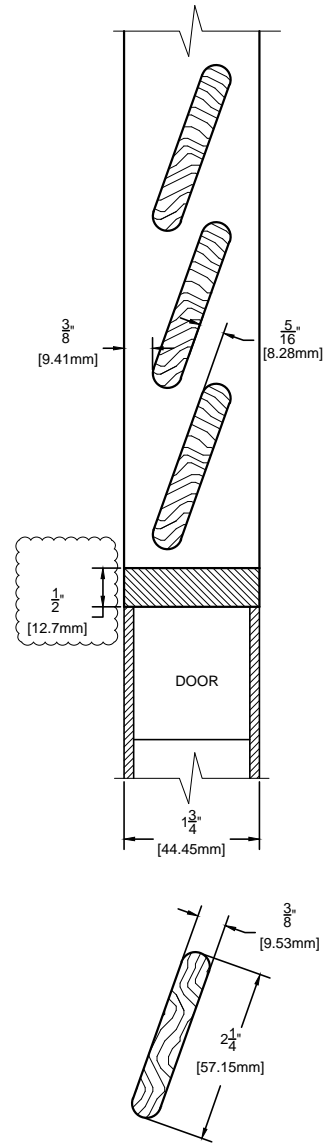
#1 "CHEVRON" LOUVER



#2 "SLAT" LOUVER



#3 ARCHITECTURAL LOUVER

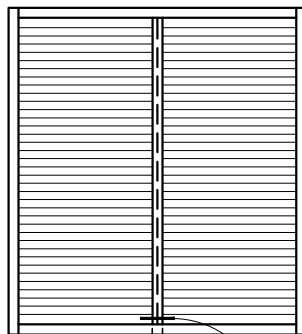


Available in LB1 & LB7

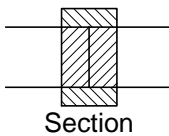
Widths over 20" [508 mm]

SLAT & ARCHITECTURAL LOUVER :

Lambton Doors cannot warrant any louver over 20" [508 mm] in width. We suggest that any louver required over 20" [508 mm] be ordered as two louvers installed together.



$\frac{3}{4}$ [19.05mm]



Section