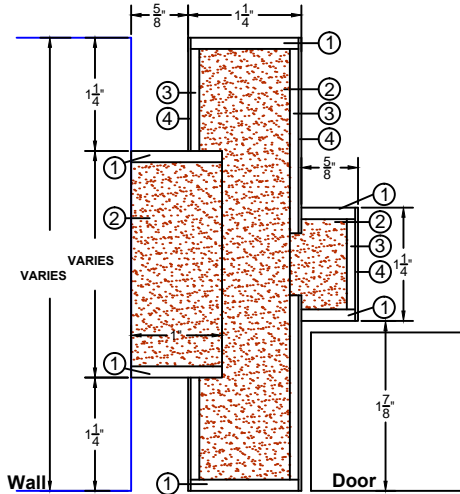




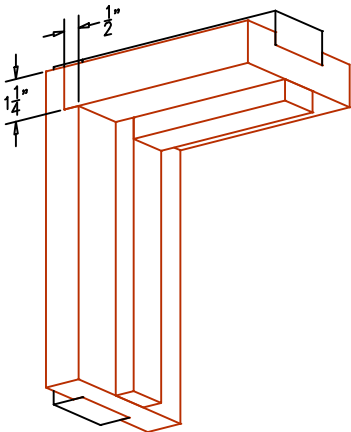
COMMERCIAL AND ARCHITECTURAL  
DOOR MANUFACTURER  
U.S.A. : 1 800 363.2248  
Can. : 1 800 463.3124  
info@lambtondoors.com

## COMMERCIAL AND ARCHITECTURAL JAMBS

### Lambton 60 minute jamb Casing Free Jamb CFJ-60



- ① Wood
- ② Fire Proof Composition Material (FPCM)
- ③ Crossband
- ④ Veneer



#### SPECIFICATIONS DESCRIPTION

<b>Wall thickness</b>	Minimum 5" (127 mm)
<b>Wood casing</b>	No wood casing required at installation with this jamb.
<b>Maximum opening</b>	<b>Single:</b> 48" x 96" (1 219 mm x 2 438 mm) <b>Pair:</b> 96" x 96" (2 438 mm x 2 438 mm)
<b>Assembly</b>	<ul style="list-style-type: none"> <li>● Dado's pre-drilled and countersunk for #8 wood screw. Screws supplied by others.</li> <li>● Rabbet assembly. Miter assembly (45°) also available.</li> </ul>
<b>Shipping</b>	Knock down
<b>Wrapping</b>	Bundle wrapped
<b>Suggested rough opening dimensions</b>	<p><b>For single or pair doors</b></p> <p>After Finished Floor</p> <p>Width : Interior opening of frame + 3-3/4" (95 mm)</p> <p>Height : Interior opening of frame + 1-7/8" (48 mm)</p> <p><b>Ex. For a 36" x 84" interior opening (914 x 2 134 mm), rough opening should be :</b></p> <p>Width : 36" + 3-3/4" = 39-3/4" (1010 mm)</p> <p>Height : 84" + 1-7/8" = 85-7/8" (2181 mm)</p>

**Notes**

- Dimensions on drawing are finished size
- Refer to *Technical Space* of our Website for Installation instructions
- UF free
- Available FSC Certified

**Warranty** Life of original installation. See our complete warranty for details.

**Factory finish** UV Finishing System. Stain, clearcoat, opaque and primed finish available. Custom color matching available. **No VOC.**

**Environmental description** Low Emitting Materials (**LEED EQc4.1, EQc4.2, EQc4.4**). FSC Certified Wood (**LEED MRc7**). Available on request.

#### INFORMATION [www.lambtondoors.com](http://www.lambtondoors.com)

