

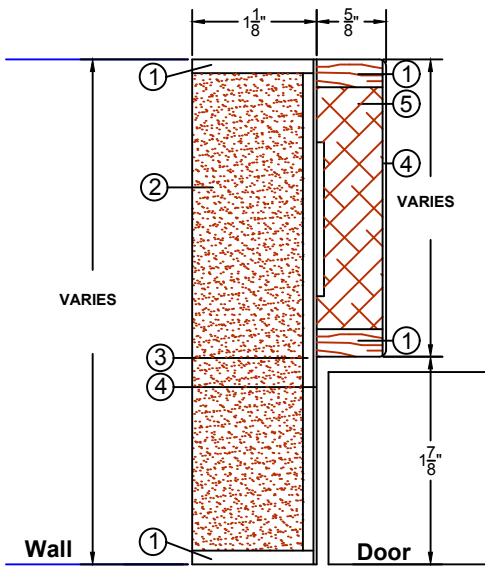


COMMERCIAL AND ARCHITECTURAL  
DOOR MANUFACTURER

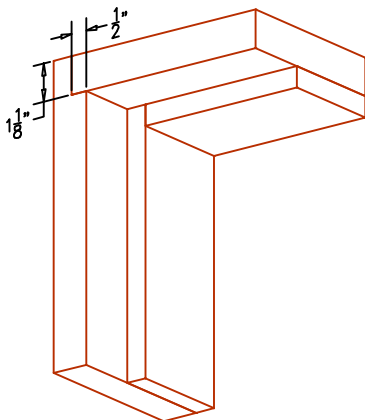
U.S.A. : 1 800 363.2248  
Can. : 1 800 463.3124  
info@lambtondoors.com  
www.lambtondoors.com

## COMMERCIAL AND ARCHITECTURAL JAMBS

### Lambton 45/60 minute jamb Rabbet Jamb RJ-45/60



- ① Wood
- ② Fire Proof Composite Material (FPCM)
- ③ Crossband
- ④ Veneer
- ⑤ Medium Density Fiberboard (MDF)



#### SPECIFICATIONS DESCRIPTION

|   |   |
|---|---|
| <b>Wall thickness</b>                     | Minimum 5" (127 mm)<br>Rated wall as per code requirements  |
| <b>Wood casing</b>                        | Standard profiles available.<br>Min 5/16" x 1-5/8" (8mm x 41mm).  |
| <b>Conforms to</b>                        | Conforms for use with Category A or B Positive and Neutral Pressure firedoors.  |
| <b>Maximum opening</b>                    | <b>Single:</b> 48" x 108" (1 219 mm x 2 743 mm)<br><b>Pair:</b> 96" x 108" (2 438 mm x 2 743 mm)  |
| <b>Assembly</b>                           | <ul style="list-style-type: none"> <li>● Dado's pre-drilled and countersunk for #8 wood screw. Screws supplied by others.</li> <li>● Rabbet assembly. Miter assembly (45°) also available.</li> </ul>   |
| <b>Shipping</b>                           | Knock down  |
| <b>Wrapping</b>                           | Bundle wrapped  |
| <b>Suggested rough opening dimensions</b> | <p><b>For single or pair doors</b></p> <p>After Finished Floor</p> <p>Width : Interior opening of frame + 2-3/4" (70 mm)</p> <p>Height : Interior opening of frame + 1-3/8" (35 mm)</p> <p><b>Ex. For a 36" x 84" interior opening (914 x 2 134 mm), rough opening should be :</b></p> <p>Width : 36" + 2-3/4" = 38-3/4" (984 mm)</p> <p>Height : 84" + 1-3/8" = 85-3/8" (2 169 mm)</p> |
| <b>Notes</b>                              | <ul style="list-style-type: none"> <li>● Dimensions on drawing are finished size</li> <li>● Refer to <i>Technical Space</i> of our Website for Installation instructions</li> <li>● UF free</li> <li>● Available FSC Certified</li> </ul>   |
| <b>Warranty</b>                           | Life of original installation.<br>See our complete warranty for details.  |
| <b>Factory finish</b>                     | UV Finishing System. Stain, clearcoat, opaque and primed finish available. Custom color matching available.<br><b>No VOC.</b>   |
| <b>Environmental description</b>          | Low Emitting Materials ( <b>LEED EQc4.1, EQc4.2, EQc4.4</b> ).<br>FSC Certified Wood ( <b>LEED MRc7</b> ). Available on request.  |

#### INFORMATION [www.lambtondoors.com](http://www.lambtondoors.com)

