

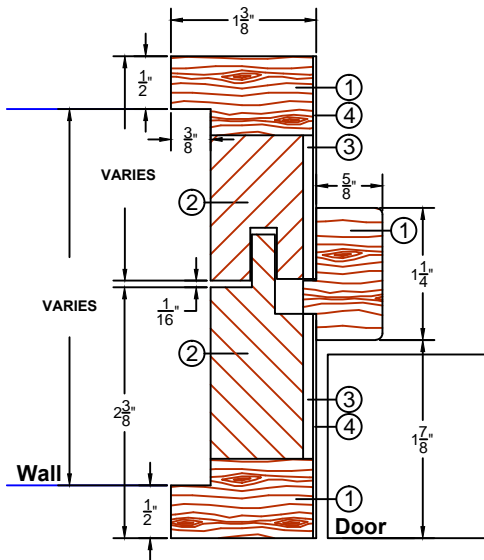


COMMERCIAL AND ARCHITECTURAL
DOOR MANUFACTURER

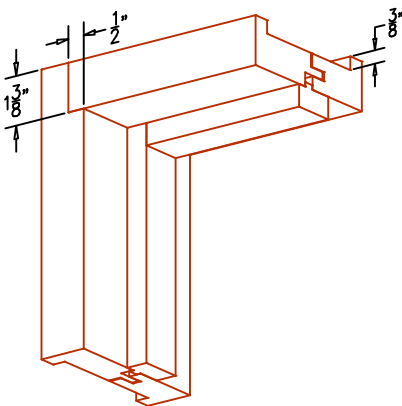
U.S.A. : 1 800 363.2248
Can. : 1 800 463.3124
info@lambtondoors.com

COMMERCIAL AND ARCHITECTURAL JAMBS

Lambton non-rated jamb Split Jamb with Casing SJC-00



- ① Wood
- ② Structural Composite Lumber (SCL)
- ③ Crossband
- ④ Veneer



SPECIFICATIONS DESCRIPTION

Wall thickness	Minimum 3-5/8" (92 mm) + 1/4" (6 mm) adjustment.
Wood casing	No wood casing required at installation with this jamb.
Maximum opening	Single: 48" x 120" (1 219 mm x 3 048 mm) Pair: 96" x 120" (2 438 mm x 3 048 mm)
Assembly	<ul style="list-style-type: none"> ● Dado's pre-drilled and countersunk for #8 wood screw. Screws supplied by others. ● Rabbet assembly. Miter assembly (45°) also available.
Shipping	Knock down
Wrapping	Bundle wrapped
Suggested rough opening dimensions	<p>For single or pair doors After Finished Floor Width : Interior opening of frame + 2-1/4" (57 mm) Height : Interior opening of frame + 1-1/8" (29 mm)</p> <p>Ex. For a 36" x 84" interior opening (914 x 2 134 mm), <u>rough opening should be :</u> Width : 36" + 2-1/4" = 38-1/4" (972 mm) Height : 84" + 1-1/8" = 85-1/8" (2162 mm)</p>

Notes	<ul style="list-style-type: none"> ● Dimensions on drawing are finished size ● Refer to <i>Technical Space</i> of our Website for Installation instructions ● UF free ● Available FSC Certified
--------------	---

Warranty	Life of original installation. See our complete warranty for details.
-----------------	--

Factory finish	UV Finishing System. Stain, clearcoat, opaque and primed finish available. Custom color matching available. No VOC.
-----------------------	--

Environmental description	Low Emitting Materials (LEED EQc4.1, EQc4.2, EQc4.4). FSC Certified Wood (LEED MRc7). Available on request.
----------------------------------	--

INFORMATION www.lambtondoors.com

