



NOTICE REGARDING CORNER FLUSH BOLTS

It is important to know that **the adjacent door faces of corner flush bolts** will tend to flare open with time. This situation is due to extremely weakened door faces by thinness in this area.

Before

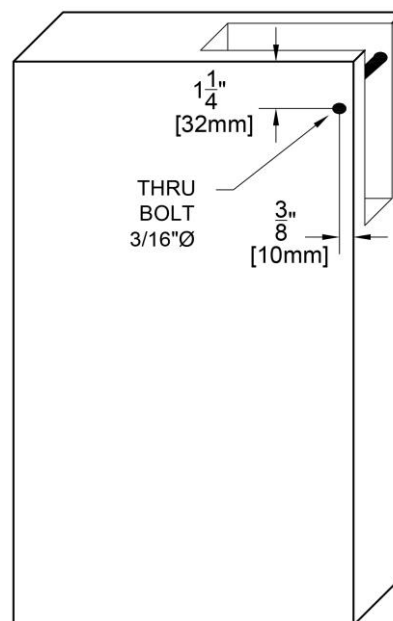
After



To remedy this situation we suggest adding a thru bolt when installing the corner flush bolt.

In fact, the thru bolt will maintain firmly the two exterior door faces in their original position. Please refer to the technical drawing when installing the thru bolt.

Feel free to contact our Customer Service Department regarding any additional information.



Customer Service

Telephone: 418 486.7401 • 1 800 463.3124 (CAN) • 1 800 363.2248 (USA)
 Fax: 418 486.7381 • 1 800 561.7443 (CAN/USA)
 235, 2nd Avenue, Lambton (Quebec) G0M 1H0 Canada
www.lambtondoors.com • info@lambtondoors.com

Architects and Designers

You can also directly reach us at
architect.designer@lambtondoors.com

