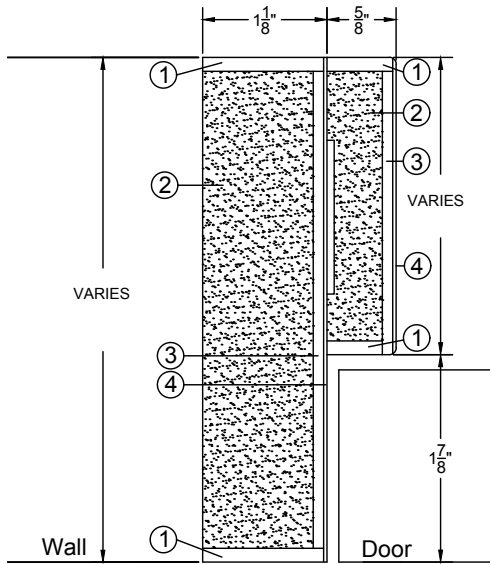
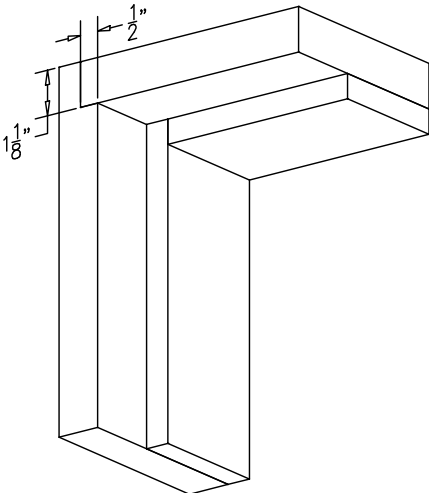


COMMERCIAL AND ARCHITECTURAL JAMBS

Lambton 90 minute jamb Rabbet Jamb RJ-90



- ① Wood
- ② Fire Proof Composite Material (FPCM)
- ③ Crossband
- ④ Veneer



SPECIFICATIONS	DESCRIPTIONS
Wall thickness	Minimum 5" (127 mm). Rated wall as per code requirements.
Wood casing	Standard profiles available. Minimum 5/16" x 1-5/8" (8 mm x 41 mm).
Conforms to	Conforms for use with Category A or B Positive and Neutral Pressure fire doors.
Maximum opening	Single: 48" x 96" (1 219 mm x 2 438 mm) Pair: 96" x 96" (2 438 mm x 2 438 mm)
Assembly	● Dado's pre-drilled and countersunk for #8 wood screw. Screws supplied by others. ● Rabbet assembly. Miter assembly (45°) also available.
Shipping	Knock down
Wrapping	Bundle wrapped
Suggested rough opening dimensions	For single or pair doors After Finished Floor Width : Interior opening of frame + 2-3/4" (70 mm) Height : Interior opening of frame + 1-3/8" (35 mm) Ex. For a 36" x 84" interior opening (914 x 2 134 mm), rough opening should be : Width : 36" + 2-3/4" = 38-3/4" (984 mm) Height : 84" + 1-3/8" = 85-3/8" (2 169 mm)
Notes	● Dimensions on drawing are finished size. ● Refer to <i>Technical Space</i> of our Website for Installation instructions. ● UF free. ● Available FSC Certified.
Warranty	Life of original installation. See our complete warranty for details.
Factory finish	UV Finishing System. Stain, clearcoat, opaque and primed finish available. Custom color matching available. No VOC.
Environmental description	Low Emitting Materials (LEED EQc4.1, EQc4.2, EQc4.4). FSC Certified Wood (LEED MRc7) available on request.



The FSC logo identifies products which contain wood from well-managed forests certified in accordance with the rules of the Forest Stewardship Council.