

45 MINUTE DOOR: WOOD MOULDINGS FOR LITE OPENINGS

WOOD MOULDINGS are no longer available
with our 45 minute mineral core door (5-FD45- CE/ME/BE).

WOOD MOULDINGS are now **supplied** on our
Enviro45 ALL WOOD Series (5-SCL45-CE/ME/BE).



BENEFITS WITH OUR Enviro45 SERIES (5-SCL45-ECE/EME/EBE)

Manufactured with engineered composite FSC® certified wood which meets or exceeds WDMA and ANSI LD2 standards: **5-SCL45- ECE/EME/EBE**.

45 minute, neutral or positive pressure	Superior core performance without any added blocking
Core, stiles and rails from wood	Strengthened dimensional stability
Easy to install, since ALL WOOD	39 lbs per cu./ft. (625 kg/cu. m.) density
Engineered composite wood with superior internal and surface characteristics	Competitive price to replace FSC® certified SLC and LD2 Class particleboard cores

WOOD MOULDINGS / Enviro45 Series

Solid lumber	Easy installation
No visible nail holes	Openings up to 1296 sq. in. (0,836 m ²)
No glazing compound	Maximum : height 54 in (137 cm), width 31 in (79 cm)

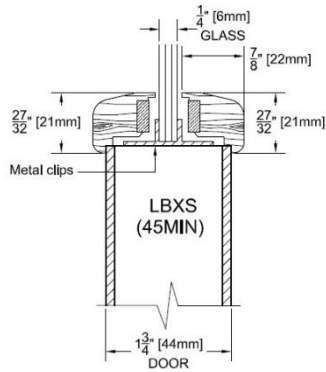
OPENING DIMENSIONS / Information

Order Size (visible glass)	Width x height
Cutout size	Order size + 1 - 1/2 in (38 mm)
Glass size	Order size + 1 - 5/16 in (33 mm)

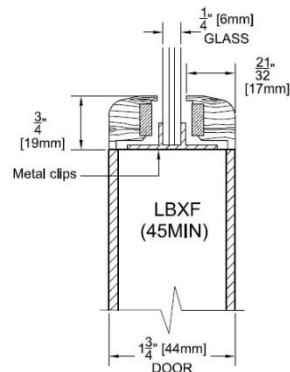
LIP MOULDING

FLUSH MOULDING

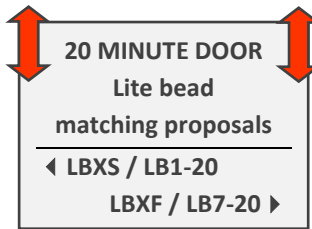
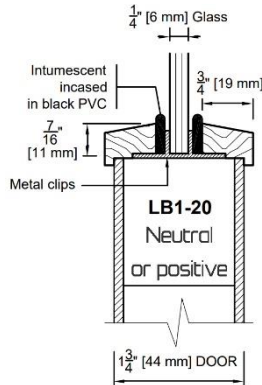
LBXS Moulding (45 min)



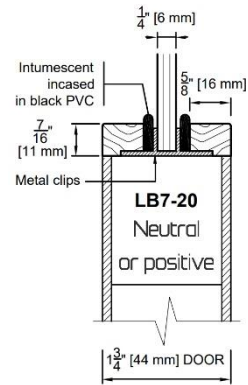
LBXF Moulding (45 min)



LB1-20 Moulding (20 min)



LB7-20 Moulding (20 min)



Please note that 45 Minute Door with mineral core and **metal lite kit** is still available.