

45 MINUTE DOOR: WOOD MOULDING FOR LITE OPENINGS

WOOD MOULDINGS are no longer available with our 45 minute mineral core door (5-FD45-ME/BE).
WOOD MOULDINGS are now supplied on our Enviro45 ALL WOOD Series (5-SCL45-ME/BE).



BENEFITS WITH OUR Enviro45 SERIES (5-SCL45-ME/BE)

Manufactured with engineered composite FSC® certified wood which meets or exceeds WDMA and ANSI LD2 standards: **5-SCL45-ME/BE**.

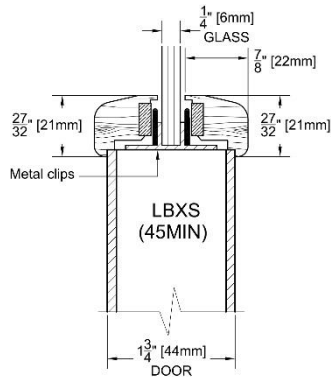
45 minute, neutral or positive pressure	Superior core performance without any added blocking
Core, stiles and rails from wood	Strengthened dimensional stability
Easy to install, since ALL WOOD	39 lbs per cu./ft. (625 kg/cu. m.) density
Engineered composite wood with superior internal and surface characteristics	Competitive price to replace FSC® certified SLC and LD2 Class particleboard cores

WOOD MOULDINGS / Enviro45 Series

Solid lumber	Easy installation
No visible nail holes	Openings up to 1296 sq. in. (0,836 m ²)
No glazing compound	Maximum : height 54 in (137 cm), width 31 in (79 cm)

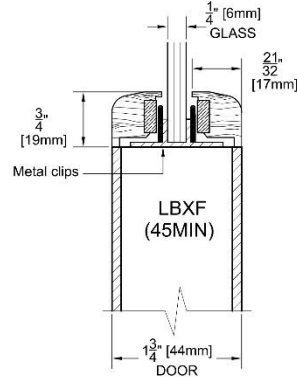
LIP MOULDING

LBXS Moulding (45 min)

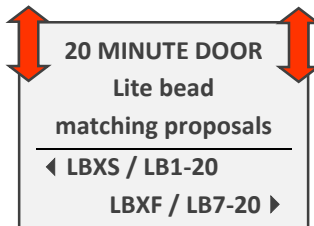
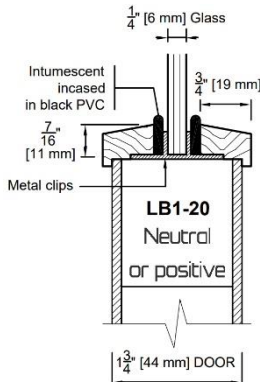


FLUSH Moulding

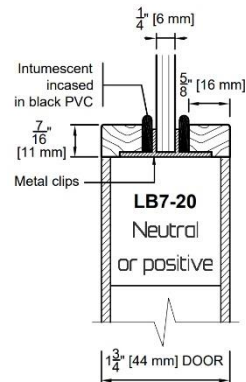
LBXF Moulding (45 min)



LB1-20 Moulding (20 min)



LB7-20 Moulding (20 min)



Please note that 45 Minute Door with mineral core and metal lite kit is still available.

YT/KC LD V01-06/2018