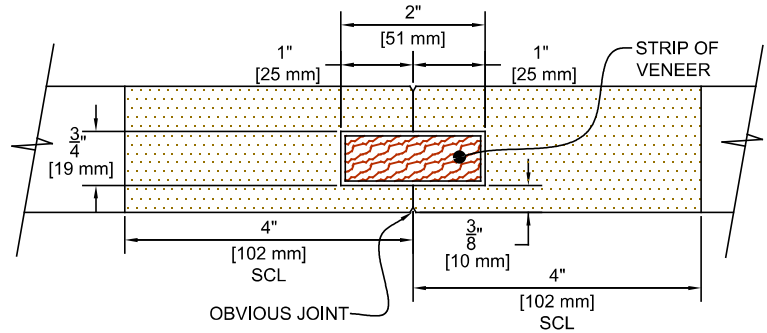
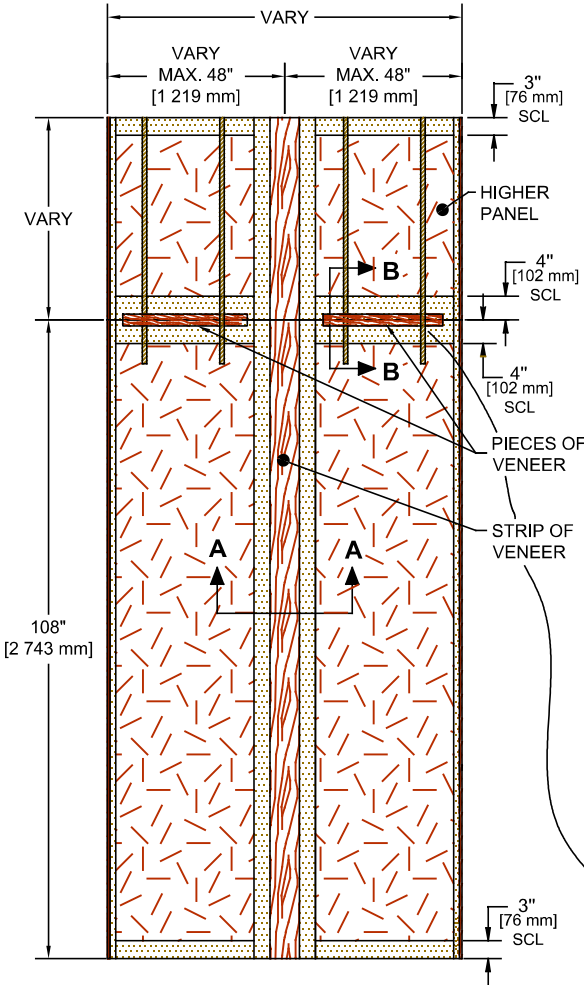


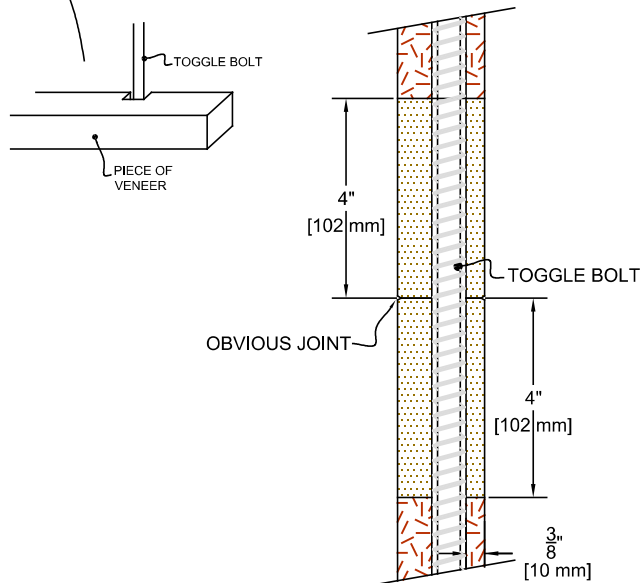
Oversize Door
Doors over
48" (1 219 mm) wide
and 120" (3 048 mm) long

SPECIFICATIONS DESCRIPTIONS

Veneer	Veneer pair match and end match door
Joints	Obvious joints
Face	Wood veneer, MDO or HPDL laminated to a HDF.
Core	Available in hollow or solid core
Thickness	1-3/4" (44 mm)
Fire-Rated	Not available
Adhesive	Type I (waterproof); PVA (UF-Free).
Assembly	Assembled with strip of veneer, all enclosed. Not factory assembled.
Warranty	None
Factory Finish	UV Finishing System 9 by AWI. No VOC. Stain, clearcoat, opaque and primed finish available. Sealed top and bottom standard. Custom color matching available. Lambton Doors' ASEPTI : Antimicrobial coated surface in option.



TOP VIEW A-A



SIDE VIEW B-B

NOT FACTORY ASSEMBLED
Download assembling instructions
on our website under
TECHNICAL SPACE
Installation Instructions



The mark of responsible forestry
The FSC® logo identifies products which contain wood from well-managed forests certified in accordance with the rules of the Forest Stewardship Council®.