

**Lambton 45-60-90 minute jamb**

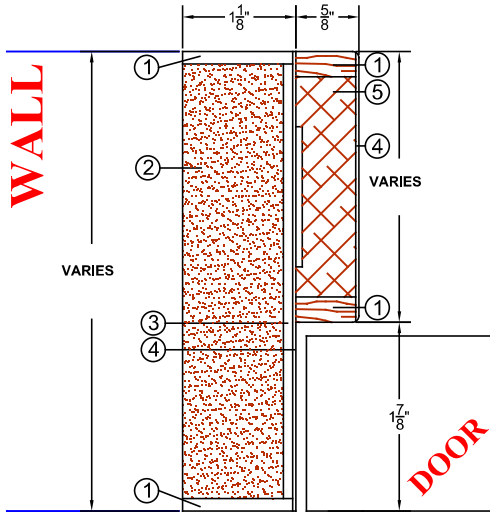
Standard Series

Rabbet Jamb RJ-45/60/90

EnviroDesign™ Series



**FIRE-Rated Jamb**  
"RJ-45/60/90" - 45/60/90 Minutes



- ① Wood
- ② Fire Proof Composite Material (FPCM)
- ③ Crossband
- ④ Veneer
- ⑤ Medium Density Fiberboard (MDF)

**SPECIFICATIONS DESCRIPTIONS**

<b>Wall Thickness</b>	Minimum 4-3/4" (121 mm) Rated wall as per code requirements
<b>Wood casing</b>	Standard profiles available. Min 5/16" x 1-5/8" (8 mm x 41 mm)
<b>Conforms to</b>	Conforms for use with Category A or B Positive and Neutral pressure firedoors.
<b>Maximum Opening</b>	Single : 42" x 108" (1 067 mm x 2 743 mm) Pair : 84" x 108" (2 134 mm x 2 743 mm)
<b>Assembly</b>	<ul style="list-style-type: none"> <li>• Dado's pre-drilled and countersunk for #8 wood screw. Screws supplied by others.</li> <li>• Rabbet assembly. Miter assembly (45°) also available on request.</li> </ul>
<b>Shipping</b>	Knock down
<b>Wrapping</b>	Bundle Wrapped
<b>Suggested rough opening dimensions</b>	<p><b>For single or pair doors.</b> After finished floor Width : Interior opening of frame + 2-3/4" (70 mm) Height : Interior opening of frame + 1-3/8" (35 mm)</p> <p><b>Ex. For a 36" x 84" interior opening (914 x 2 134mm).</b> Rough opening should be : Width : 36" + 2-3/4" = 38-3/4" (984 mm) Height : 84" + 1-3/8" = 85-3/8" (2 169 mm)</p>
<b>Adhesive</b>	Type I (waterproof); PVA (UF-Free).
<b>Face</b>	Wood veneer, MDO or HDF.
<b>Notes</b>	<ul style="list-style-type: none"> <li>• Dimension on drawing are finished size.</li> <li>• Refer to Technical Space of our website for Installation instructions.</li> </ul>
<b>Warranty</b>	Life of original installation.
<b>Factory Finish</b>	UV Finishing System 9 by AWI. No VOC. Stain, clearcoat, opaque and primed finish available. Custom color matching available. Lambton Doors' <b>ASEPTI</b> : Antimicrobial coated surface in option.
<b>Environmental Benefits</b>	Recycled content. All Series. Regional Materials. According to job site location. FSC Certified Wood. Available on request. Low Emitting Materials, NAF-ULEF.



The mark of responsible forestry  
The FSC® logo identifies products which contain wood from well-managed forests certified in accordance with the rules of the Forest Stewardship Council®.

