

Lambton non-rated jamb

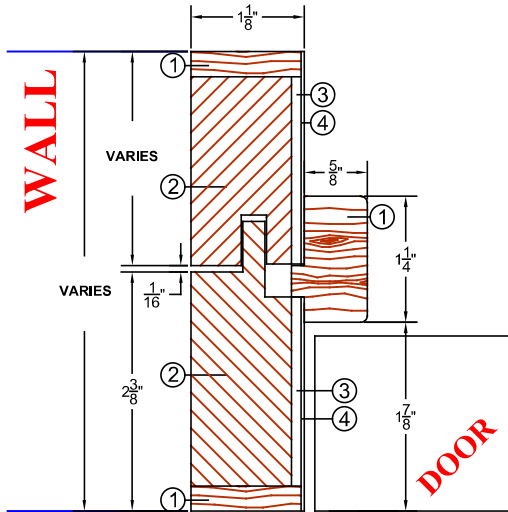
Split Jamb SJ-00

Standard Series

EnviroDesign™ Series



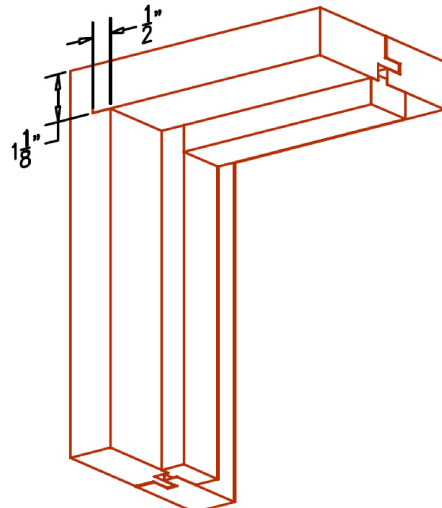
**Non-Rated Jamb
Split-Jamb "SJ"**



- ① Wood
- ② Structural Composite Lumber (SCL)
- ③ Crossband
- ④ Veneer

SPECIFICATIONS DESCRIPTIONS

| | |
|---|--|
| Wall Thickness | Minimum 3-5/8" (92 mm) + 1/4" (6 mm) adjustment. |
| Wood casing | Standard profiles available. |
| Maximum Opening | Single : 48" x 120" (1 219 mm x 3 048 mm) Pair : 96" x 120" (2 438 mm x 3 048 mm) |
| Assembly | <ul style="list-style-type: none"> • Dado's pre-drilled and countersunk for #8 wood screw. Screws supplied by others. • Rabbet assembly. Miter assembly (45°) also available on request. |
| Shipping | Knock down |
| Wrapping | Bundle Wrapped |
| Suggested rough opening dimensions | <p>For single or pair doors. After finished floor Width : Interior opening of frame + 2-3/4" (70 mm) Height : Interior opening of frame + 1-3/8" (35 mm)</p> <p>Ex. For a 36" x 84" interior opening (914 x 2 134mm). Rough opening should be : Width : 36" + 2-3/4" = 38-3/4" (984 mm) Height : 84" + 1-3/8" = 85-3/8" (2 169 mm)</p> |
| Adhesive | Type I (waterproof); PVA (UF-Free). |
| Face | Wood veneer, MDO or HDF. |
| Notes | <ul style="list-style-type: none"> • Dimension on drawing are finished size. • Refer to Technical Space of our website for Installation instructions. |
| Warranty | Life of original installation. |
| Factory Finish | UV Finishing System 9 by AWI. No VOC. Stain, clearcoat, opaque and primed finish available. Custom color matching available. Lambton Doors' ASEPTI : Antimicrobial coated surface in option. |
| Environmental Benefits | Recycled content. All Series. Regional Materials. According to job site location. FSC Certified Wood. Available on request. Low Emitting Materials, NAF-ULEF. |



The mark of responsible forestry
The FSC® logo identifies products which contain wood from well-managed forests certified in accordance with the rules of the Forest Stewardship Council®.