

Lambton non-rated jamb

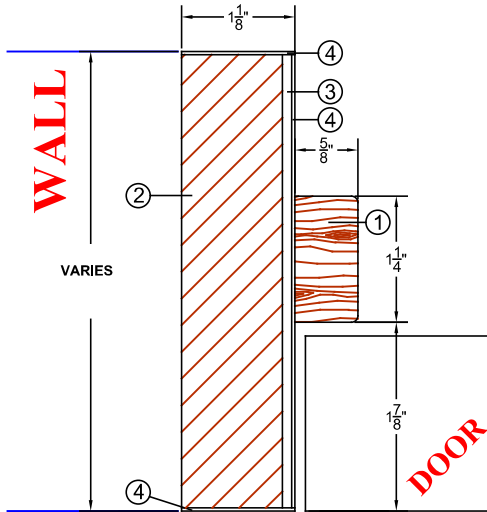
Standard Series

T Jamb TJ-00

EnviroDesign™ Series



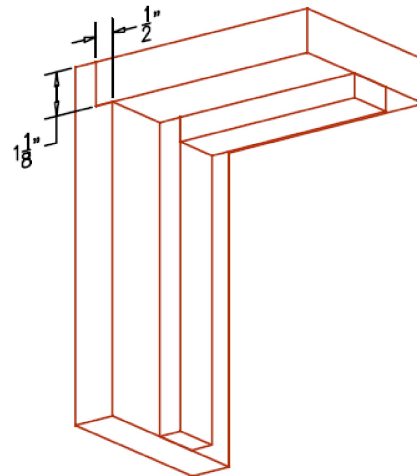
**Non-Rated Jamb
T-Jamb(VE) "TJ-00"**



- ① Wood
- ② Structural Composite Lumber (SCL)
- ③ Crossband
- ④ Veneer

SPECIFICATIONS DESCRIPTIONS

Wall Thickness	Minimum 3-5/8" (92 mm)
Wood casing	Standard profiles available.
Maximum Opening	Single : 48" x 120" (1 219 mm x 3 048 mm) Pair : 96" x 120" (2 438 mm x 3 048 mm)
Assembly	<ul style="list-style-type: none"> • Dado's pre-drilled and countersunk for #8 wood screw. Screws supplied by others. • Rabbet assembly. Miter assembly (45°) also available on request.
Shipping	Knock down
Wrapping	Bundle Wrapped
Suggested rough opening dimensions	<p>For single or pair doors. After finished floor Width : Interior opening of frame + 2-3/4" (70 mm) Height : Interior opening of frame + 1-3/8" (35 mm)</p> <p>Ex. For a 36" x 84" interior opening (914 x 2 134mm). Rough opening should be : Width : 36" + 2-3/4" = 38-3/4" (984 mm) Height : 84" + 1-3/8" = 85-3/8" (2 169 mm)</p>
Adhesive	Type I (waterproof); PVA (UF-Free).
Face	Wood veneer, MDO or HDF.
Notes	<ul style="list-style-type: none"> • Dimension on drawing are finished size. • Refer to Technical Space of our website for Installation instructions.
Warranty	Life of original installation.
Factory Finish	UV Finishing System 9 by AWI. No VOC. Stain, clearcoat, opaque and primed finish available. Custom color matching available. Lambton Doors' ASEPTI : Antimicrobial coated surface in option.
Environmental Benefits	Recycled content. All Series. Regional Materials. According to job site location. FSC Certified Wood. Available on request. Low Emitting Materials, NAF-ULEF.



The mark of responsible forestry
The FSC® logo identifies products which contain wood from well-managed forests certified in accordance with the rules of the Forest Stewardship Council®.