



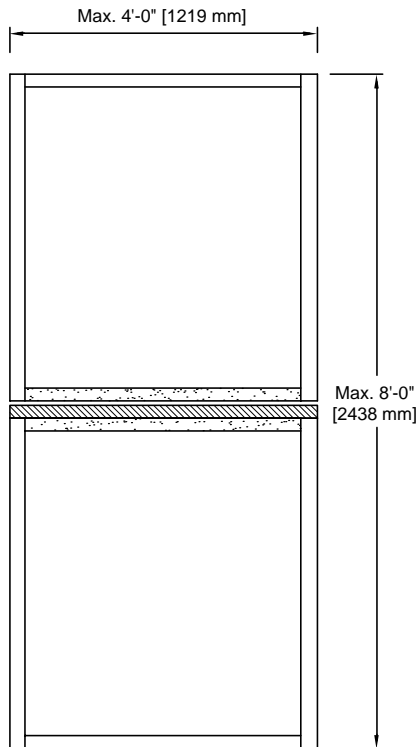
U.S.A. : 1.800.363.2248
Can. : 1.800.463.3124

FIRE DOOR SYSTEM

NEUTRAL PRESSURE

20 MINUTE DUTCH DOOR

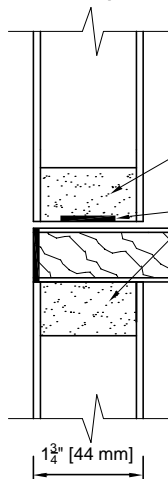
UTILIZING INTUMESCENT



- Door construction according to series except for meeting rails.
- The maximum opening size is 4'-0" x 8'-0" [1219 mm x 2438 mm].
- The maximum opening pair size is 8'-0" x 8'-0" [2438 mm x 2438 mm].
- See shelf details.

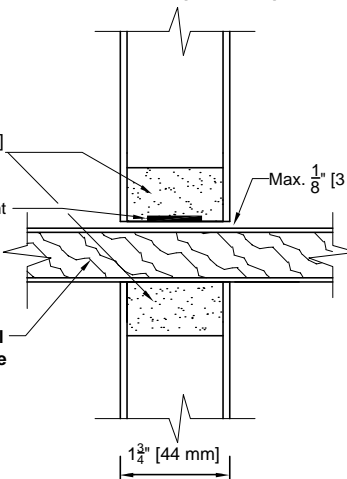
DUTCH DETAILS (After trim)

SHELF APPLIED TO TOP (1 side)



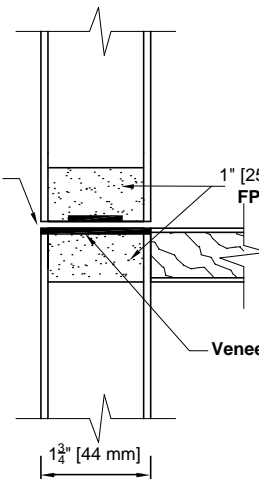
N20-D1

SHELF APPLIED TO TOP (2 sides)



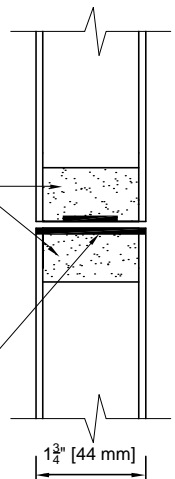
N20-D2

SHELF APPLIED TO DOOR FACE



N20-D3

NO SHELF



N20-D5