



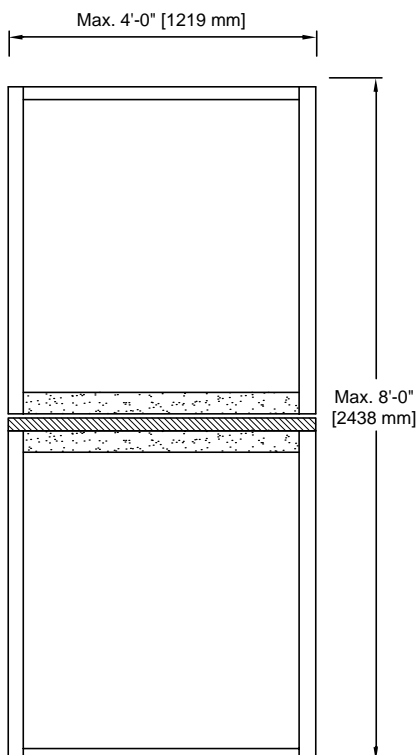
U.S.A. : 1.800.363.2248
Can. : 1.800.463.3124

FIRE DOOR SYSTEM

NEUTRAL PRESSURE

45/60 MINUTE DUTCH DOOR

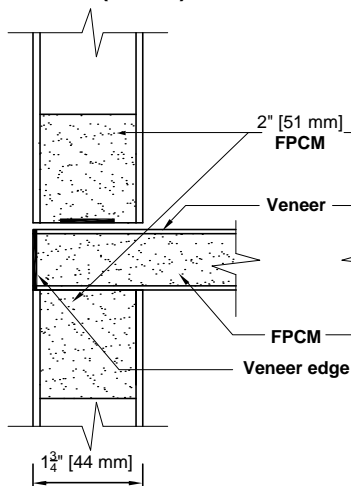
UTILIZING INTUMESCENT



- Door construction according to series except for meeting rails.
- The maximum opening size is 4'-0" x 8'-0" [1219 mm x 2438 mm].
- Two wood shelf supports per side of door are required.
- Fire Proof blocking must be used at any location where a mounting screw would otherwise enter mineral core, unless thru-bolting is used.
- See shelf details.

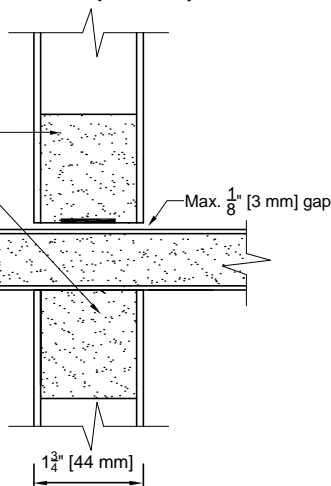
DUTCH DETAILS (After trim)

SHELF APPLIED TO TOP (1 side)



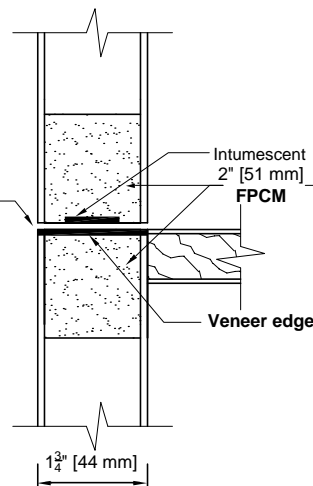
N45/60-D1

SHELF APPLIED TO TOP (2 sides)



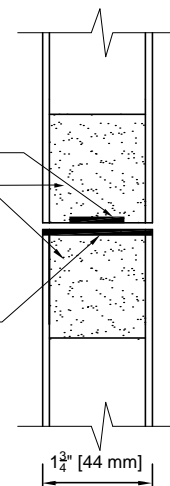
N45/60-D2

SHELF APPLIED TO DOOR FACE



N45/60-D3

NO SHELF



N45/60-D5