

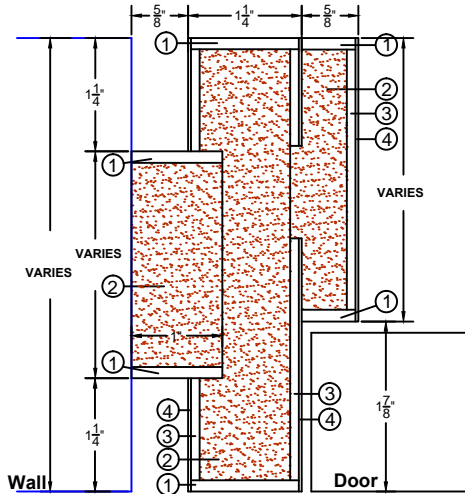


COMMERCIAL AND ARCHITECTURAL
DOOR MANUFACTURER

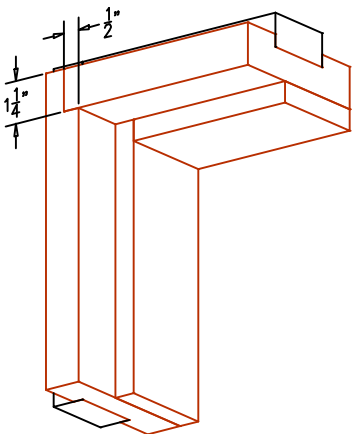
U.S.A. : 1 800 363.2248
Can. : 1 800 463.3124
info@lambtondoors.com

COMMERCIAL AND ARCHITECTURAL JAMBS

Lambton 60 minute jamb Casing Free Rabbet Jamb CFRJ-60



- ① Wood
- ② Fire Proof Composition Material (FPCM)
- ③ Crossband
- ④ Veneer



SPECIFICATIONS DESCRIPTION

Wall thickness	Minimum 5" (127 mm)
Wood casing	No wood casing required at installation with this jamb.
Maximum opening	Single: 48" x 96" (1 219 mm x 2 438 mm) Pair: 96" x 96" (2 438 mm x 2 438 mm)
Assembly	<ul style="list-style-type: none"> ● Dado's pre-drilled and countersunk for #8 wood screw. Screws supplied by others. ● Rabbet assembly. Miter assembly (45°) also available.
Shipping	Knock down
Wrapping	Bundle wrapped
Suggested rough opening dimensions	<p>For single or pair doors</p> <p>After Finished Floor</p> <p>Width : Interior opening of frame + 3-3/4" (95 mm)</p> <p>Height : Interior opening of frame + 1-7/8" (48 mm)</p> <p>Ex. For a 36" x 84" interior opening (914 x 2 134 mm), rough opening should be :</p> <p>Width : 36" + 3-3/4" = 39-3/4" (1010 mm)</p> <p>Height : 84" + 1-7/8" = 85-7/8" (2181 mm)</p>
Notes	<ul style="list-style-type: none"> ● Dimensions on drawing are finished size ● Refer to <i>Technical Space</i> of our Website for Installation instructions ● UF free ● Available FSC Certified
Warranty	Life of original installation. See our complete warranty for details.
Factory finish	UV Finishing System. Stain, clearcoat, opaque and primed finish available. Custom color matching available. No VOC.
Environmental description	Low Emitting Materials (LEED EQc4.1, EQc4.2, EQc4.4). FSC Certified Wood (LEED MRC7). Available on request.

INFORMATION www.lambtondoors.com

