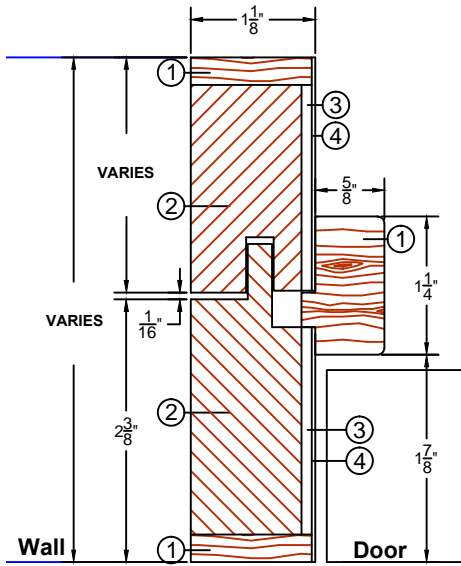




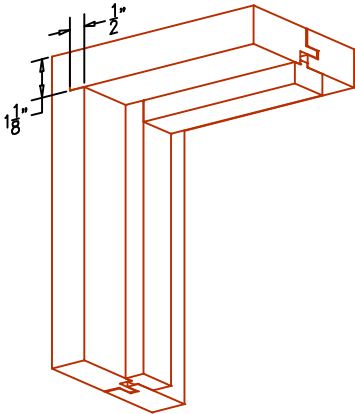
COMMERCIAL AND ARCHITECTURAL
DOOR MANUFACTURER
U.S.A. : 1 800 363.2248
Can. : 1 800 463.3124
info@lambtondoors.com

COMMERCIAL AND ARCHITECTURAL JAMBS

Lambton non-rated jamb Split Jamb SJ-00



- ① Wood
- ② Structural Composite Lumber (SCL)
- ③ Crossband
- ④ Veneer



SPECIFICATIONS DESCRIPTION

Wall thickness	Minimum 3-5/8" (92 mm) + 1/4" (6 mm) adjustment.
Wood casing	Standard profiles available.
Maximum opening	Single: 48" x 120" (1 219 mm x 3 048 mm) Pair: 96" x 120" (2 438 mm x 3 048 mm)
Assembly	<ul style="list-style-type: none"> ● Dado's pre-drilled and countersunk for #8 wood screw. Screws supplied by others. ● Rabbet assembly. Miter assembly (45°) also available.
Shipping	Knock down
Wrapping	Bundle wrapped
Suggested rough opening dimensions	<p>For single or pair doors</p> <p>After Finished Floor</p> <p>Width : Interior opening of frame + 2-3/4" (70 mm)</p> <p>Height : Interior opening of frame + 1-3/8" (35 mm)</p> <p>Ex. For a 36" x 84" interior opening (914 x 2 134 mm), rough opening should be :</p> <p>Width : 36" + 2-3/4" = 38-3/4" (984 mm)</p> <p>Height : 84" + 1-3/8" = 85-3/8" (2 169 mm)</p>

Notes

- Dimensions on drawing are finished size
- Refer to *Technical Space* of our Website for Installation instructions
- UF free
- Available FSC Certified

Warranty Life of original installation. See our complete warranty for details.

Factory finish UV Finishing System. Stain, clearcoat, opaque and primed finish available. Custom color matching available. **No VOC.**

Environmental description Low Emitting Materials (**LEED EQc4.1, EQc4.2, EQc4.4**). FSC Certified Wood (**LEED MRc7**). Available on request.

INFORMATION www.lambtondoors.com

