

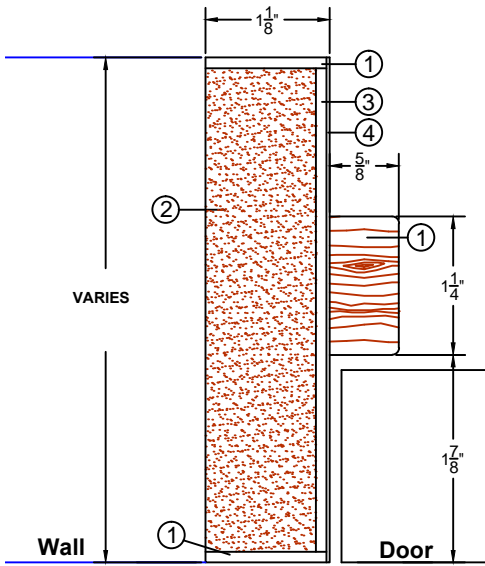


COMMERCIAL AND ARCHITECTURAL
DOOR MANUFACTURER

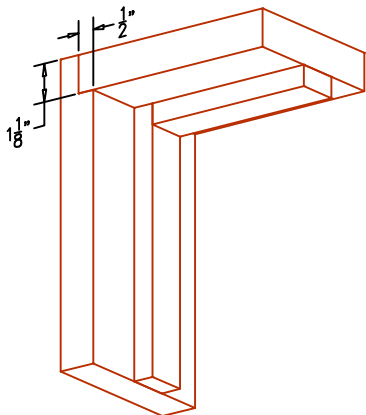
U.S.A. : 1 800 363.2248
Can. : 1 800 463.3124
info@lambtondoors.com

COMMERCIAL AND ARCHITECTURAL JAMBS

Lambton 45/60 minute jamb T Jamb TJ-45/60



- ① Wood
- ② Fire Proof Composite Material (FPCM)
- ③ Crossband
- ④ Veneer



SPECIFICATIONS DESCRIPTION

Wall thickness	Minimum 5" (127 mm) Rated wall as per code requirements
Wood casing	Standard profiles available. Min 5/16" x 1-5/8" (8mm x 41mm).
Conforms to	Conforms for use with Category A or B Positive and Neutral Pressure fire doors.
Maximum opening	Single: 48" x 108" (1 219 mm x 2 743 mm) Pair: 96" x 108" (2 438 mm x 2 743 mm)
Assembly	<ul style="list-style-type: none"> ● Dado's pre-drilled and countersunk for #8 wood screw. Screws supplied by others. ● Rabbet assembly. Miter assembly (45°) also available.
Shipping	Knock down
Wrapping	Bundle wrapped
Suggested rough opening dimensions	<p>For single or pair doors</p> <p>After Finished Floor</p> <p>Width : Interior opening of frame + 2-3/4" (70 mm) Height : Interior opening of frame + 1-3/8" (35 mm)</p> <p>Ex. For a 36" x 84" interior opening (914 x 2 134 mm), rough opening should be :</p> <p>Width : 36" + 2-3/4" = 38-3/4" (984 mm) Height : 84" + 1-3/8" = 85-3/8" (2 169 mm)</p>

Notes

- Dimensions on drawing are finished size
- Refer to *Technical Space* of our Website for Installation instructions
- UF free
- Available FSC Certified

Warranty Life of original installation.
See our complete warranty for details.

Factory finish UV Finishing System. Stain, clearcoat, opaque and primed finish available. Custom color matching available.
No VOC.

Environmental description Low Emitting Materials (**LEED EQc4.1, EQc4.2, EQc4.4**).
FSC Certified Wood (**LEED MRc7**). Available on request.

INFORMATION www.lambtondoors.com

